

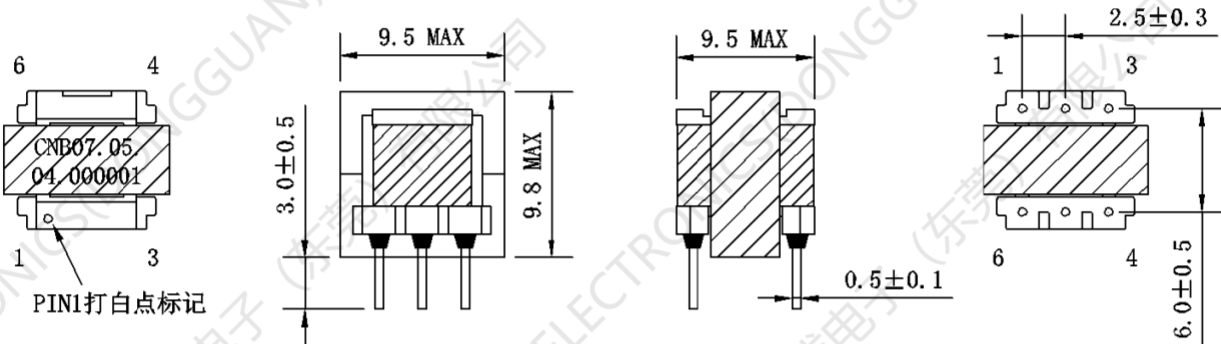
Drive Transformers FC-DT8010-101-T

Features:

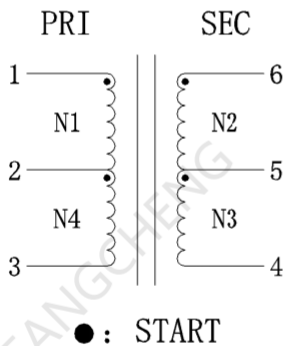
1. turns Ratio: 7:9:9:7
2. Rated Current: 500mA
3. Insulation Test Voltage: 1500VAC
4. Application: Drive isolation circuit
5. Operating temperature: - 40 °C to +125 °C



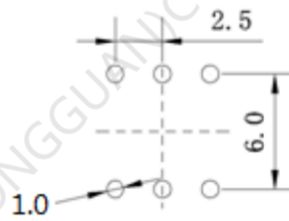
1. Dimensions:mm



2 .Schematic:



3. Recommend Land Pattern: mm



4.Winding STEP:

WD G	TERMINAL	WIRE	TURNS	TAPE	REMARKS
N1	1--2	φ 0.20*1P	14Ts	2Ts	Close winding
N2	6--5	φ 0.20*1P	18Ts	2Ts	Close winding
N3	5--4	φ 0.20*1P	18Ts	2Ts	Close winding
N4	2--3	φ 0.20*1P	14Ts	2Ts	Close winding



5. Electrical Properties:

NO.	ITEMS	MEASURING POINT	TECHNICAL DATA	TEST CONDITION	INSTRUMENT
1	Inductors	L (1--2)	100μH /MIN	1KHz, 0.25V, 25°C	HP4284A
		L (2--3)	100μH /MIN	1KHz, 0.25V, 25°C	HP4284A
2	turns Ratio	N1:N2:N3:N4	7:9:9:7	20KHz, 1V, 25°C	TH3250
3	DCR	R (1--3)	0.45 Ω /MAX	25°C	CH502
		R (6--4)	0.55 Ω /MAX	25°C	CH502
4	Insulation Test Voltage	PRI => SEC	1500V/AC	1mA 3S	CJ2670
		PRI => CORE	1000V/AC	1mA 3S	CJ2670
		SEC => CORE	1000V/AC	1mA 3S	CJ2670

Ambient temperature : -40°C to +85°C

Operating temperature: -40°C to +125°C

6. CORE PARAMETERS

磁芯参数	CORE PARAMETERS
有效磁路长度 Effective Length Le	21.12 (mm)
有效截面积 Effective Cross Area Ae	8.13 (mm ²)
有效体积 Effective Volume Ve	171.8 (mm ³)