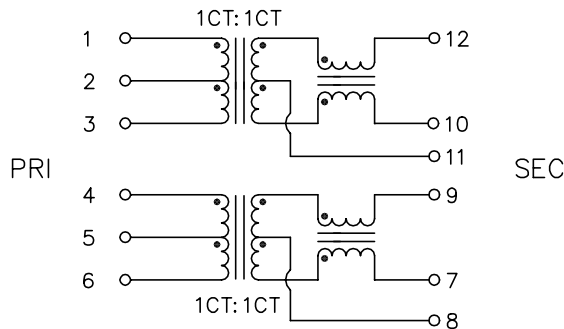


HR601233E

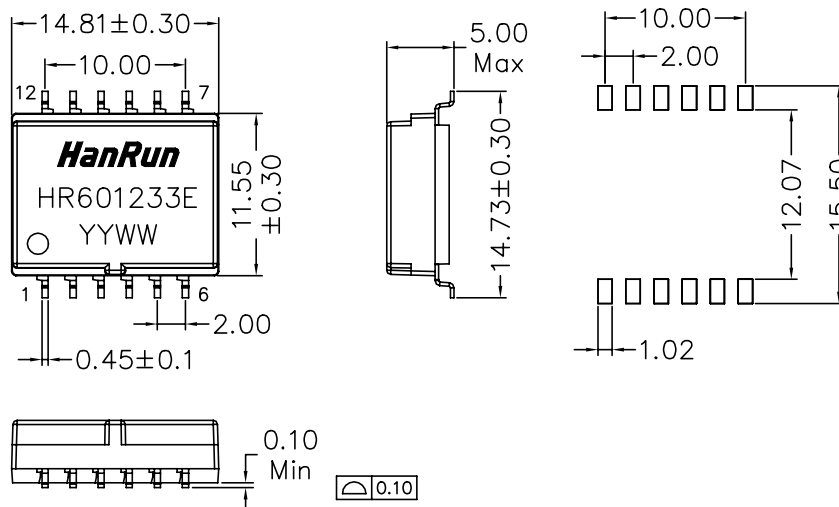
Electrical Specification @25°C

- RoHS Compliant (Pb Free)
- Operating Temperature Range: -40°C ~ +125°C
- Isolation: 4300VDC 1mA 60S (Primary to Secondary)
- OCL: 150uH Minimum, 450uH Maximum @100KHz 100mV
- Turns Ratio: 1 : 1 ±2% (Primary : Secondary)
- PRI DC Resistance: 0.45 Ohms Maximum
- SEC DC Resistance: 0.85 Ohms Maximum
- PRI Leakage Inductance: 0.5uH Maximum @100KHz 100mV SEC Shorted
- Insertion Loss: -0.25dB Maximum @4MHz
- Return Loss: -20dB Minimum @4MHz (Z OUT =100 OHM ±1)
- Crosstalk: -50dB Minimum @4MHz
- CMRR: -35dB Minimum @1MHz ~ 10MHz / -20dB Minimum @10MHz ~ 1000MHz
- Insulation Resistance: 400MΩ Minimum
- Creepage Distance: 10mm Minimum
- Design Construction: Functional insulation
- Qualification: PER AEC-Q200
- Working Voltage: 1600VDC

Schematics



Mechanical Dimensions



Dimensions in mm

Unless otherwise specified, Tol.: .xx ±0.25

REV.: 02