

EMC filters

3-phase dv/dt output reactors
520 V AC, 8 A ... 1500 A, 40 °C

Series/Type: **B86301U**

Date: March 2024

3-phase dv/dt output reactors
3-phase dv/dt output reactors
Rated voltage V_R : 520 V AC
Rated current I_R : 8 A to 1500 A
Construction

- 3-phase dv/dt output reactor
- Natural cooling

Features

- Reduction of voltage stress at the motor
- dv/dt reduction
- Easy to install
- Low weight
- Compact design
- Design complies with IEC 60076-6
- Degree of protection¹⁾:
 - IP20 (8 A ... 24 A)
 - IP10 (45 A ... 112 A)
 - IP00 (180 A ... 1500 A)
- Optimized for motor cables up to 50 m²⁾
- UL approved insulation system class 155 (F)

Typical applications

- Frequency converters for motor drives, e.g.
 - elevators
 - pumps
 - traction and conveyer systems
 - HVAC systems (heating, ventilation and air conditioning)

Terminals

- Up to 112 A: Finger-safe terminals
- 180 A to 1500 A: Busbars

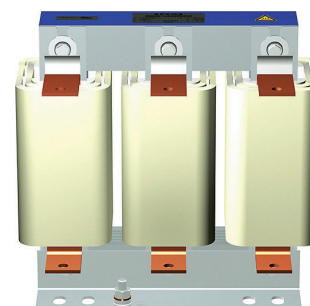
Marking

Marking on component:

Manufacturer's logo, ordering code, rated voltage, rated current, rated motor frequency, rated switching frequency, rated temperature, climatic category, date code, approvals

Minimum data on packaging:

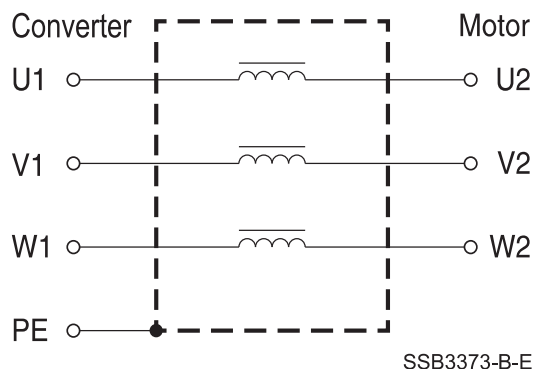
Manufacturer's logo, ordering code, quantity, date code



Schematic picture

1) According to IEC 60529

2) The maximum permissible motor cable length depends on the application and must be checked.

3-phase dv/dt output reactors
Typical circuit diagram

Technical data and measuring conditions

Rated voltage V_R	520 V AC (50/60 Hz)
Relative voltage drop v_k in %	At I_R ; 50 Hz and 400 V AC
Converter output frequency f_M	0 Hz ... 400 Hz
Pulse frequency f_P	see table
Rated current I_R	Referred to 40 °C rated temperature
Test voltage V_{test}	1500 V AC, 10 s (line/line) 2500 V AC, 10 s (lines/case)
Overload capability (thermal)	$1.5 \cdot I_R$ for 1 min per hour
Max. dv/dt on filter input	8 kV/ μ s (higher values can be approved individually)
Insulation class	155 (F)
Climatic category (IEC 60068-1)	25/100/21 (-25 °C/+100 °C/21 days damp heat test)
Approvals	Insulation system class 155 (F)

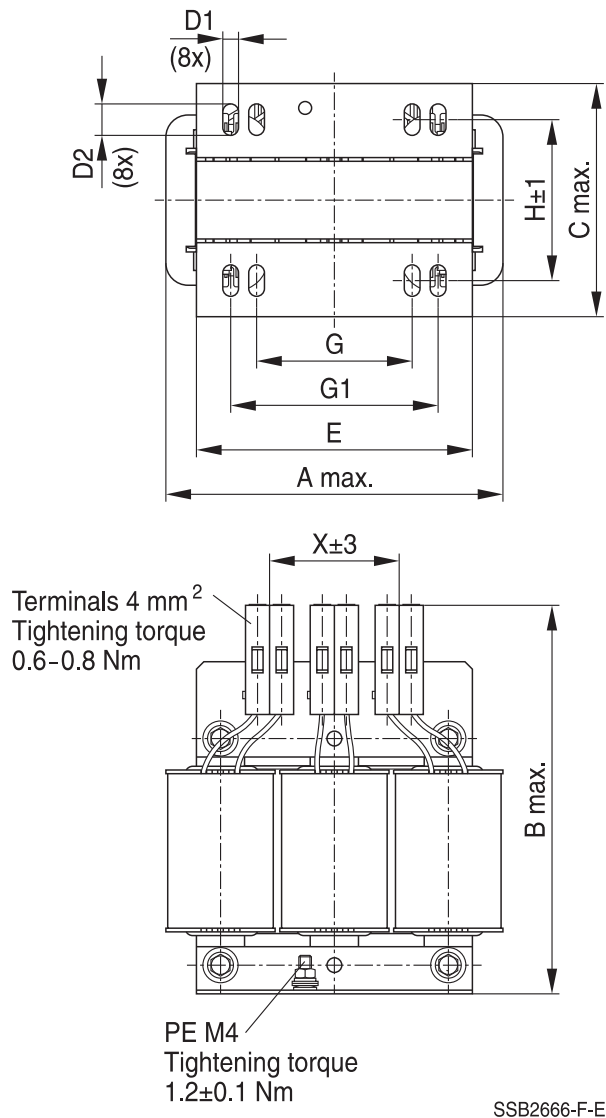
Characteristics and ordering codes

I_R A	V_k %	$R_{typ}^{1)}$ mΩ	$L_R^{2)}$ μH	$P_L^{3)}$ W	Approx. weight kg	f_p max. kHz	Ordering code
$V_R = 520$ V AC							
8	0.79	57	730	13	1.3	16	B86301U0008R000
12	0.65	31.0	400	19	1.8	16	B86301U0012R000
24	0.82	12.50	250	25	2.6	16	B86301U0024R000
45	0.80	5.80	130	45	5.6	10	B86301U0045R000
112	0.76	1.60	50	75	9.4	8	B86301U0112R000
180	0.78	0.85	32	100	11.0	6	B86301U0180S000
250	0.75	0.70	22	150	13.7	6	B86301U0250S000
320	0.78	0.40	18	180	17.0	6	B86301U0320S000
360	0.73	0.35	15	170	19.5	4	B86301U0360S000
400	0.71	0.32	13	200	20.5	4	B86301U0400S000
500	0.75	0.3	11	320	23.5	4	B86301U0500S000
720	0.78	0.24	8	480	30.5	2.5	B86301U0720S000
950	0.78	0.14	6	600	43	2.5	B86301U0950S000
1500	0.8	0.09	3.9	1050	65	2.5	B86301U1500S000

1) Typical values at 20 °C

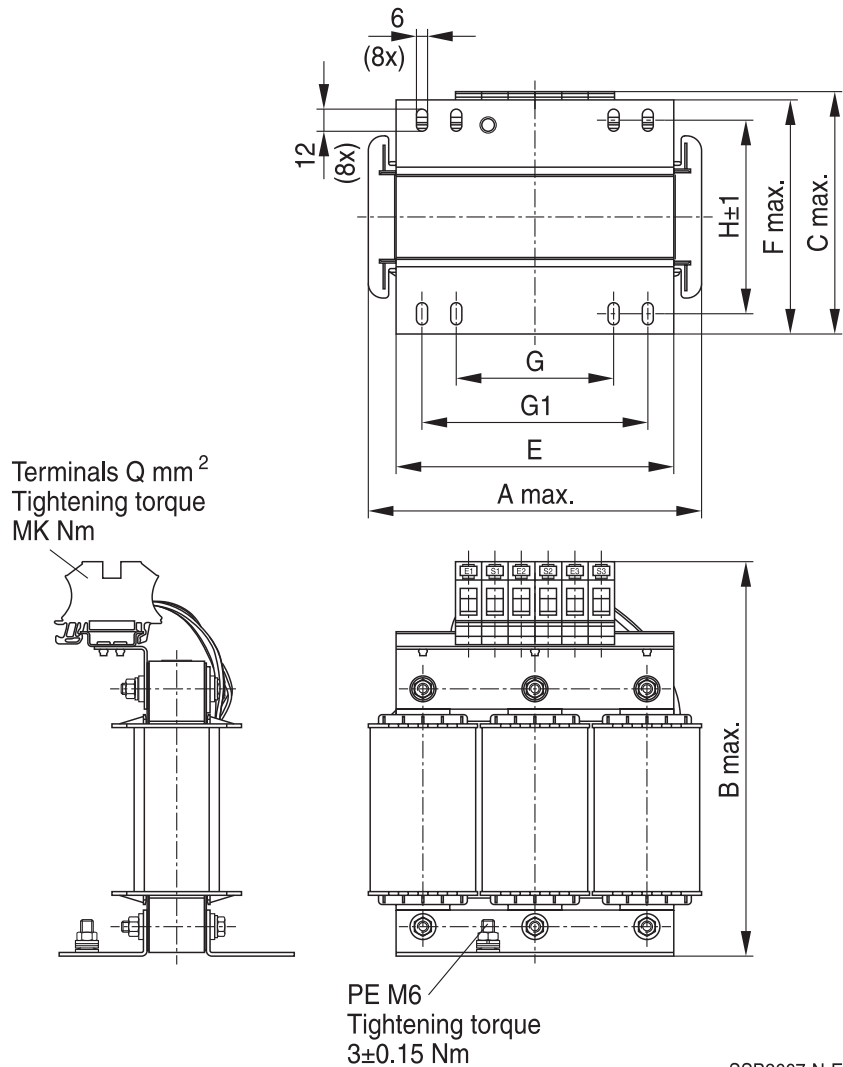
2) At I_R ; tolerance $\pm 10\%$

3) Typical values at I_R , 50 Hz, 20 °C. Varies with type and length of motor cable, pulse frequency and modulation mode.

Dimensional drawings
B86301U0008R000 ... B86301U0024R000 (8 A ... 24 A)


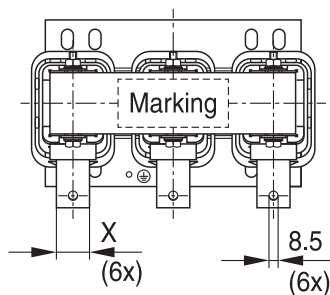
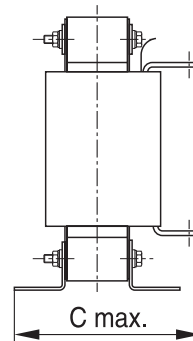
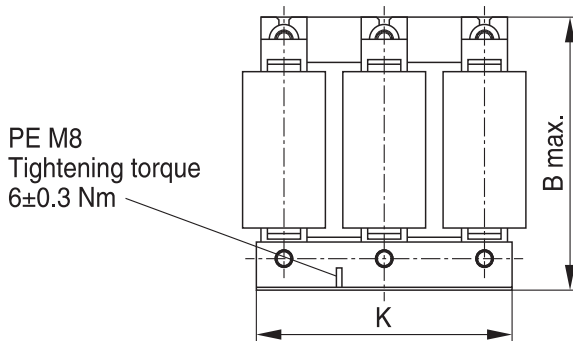
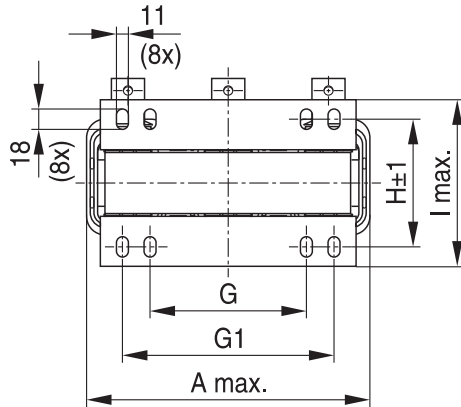
Ordering code	A	B	C	D1 × D2	E	G	G1	H	X
B86301U0008R000	100	120	65	6 × 9	80	40	60	42	40
B86301U0012R000	125	140	80	6 × 12	100	60	80.5	51	50
B86301U0024R000	125	140	90	6 × 12	100	60	80.5	61	50

General tolerances according to ISO 2768–cL
Dimensions in mm

B86301U0045R000, B86301U0112R000 (45 A, 112 A)


Ordering code	A	B	C	E	F	G	G1	H	Q (mm ²)	MK (Nm)
B86301U0045R000	180	210	130	150	125	85	122	96	16	2.0-2.3
B86301U0112R000	180	220	150	150	145	85	122	116	35	3.2-3.7

General tolerances according to ISO 2768–cL
Dimensions in mm

B86301U0180S000 ... B86301U0360S000 (180 A ... 360 A)


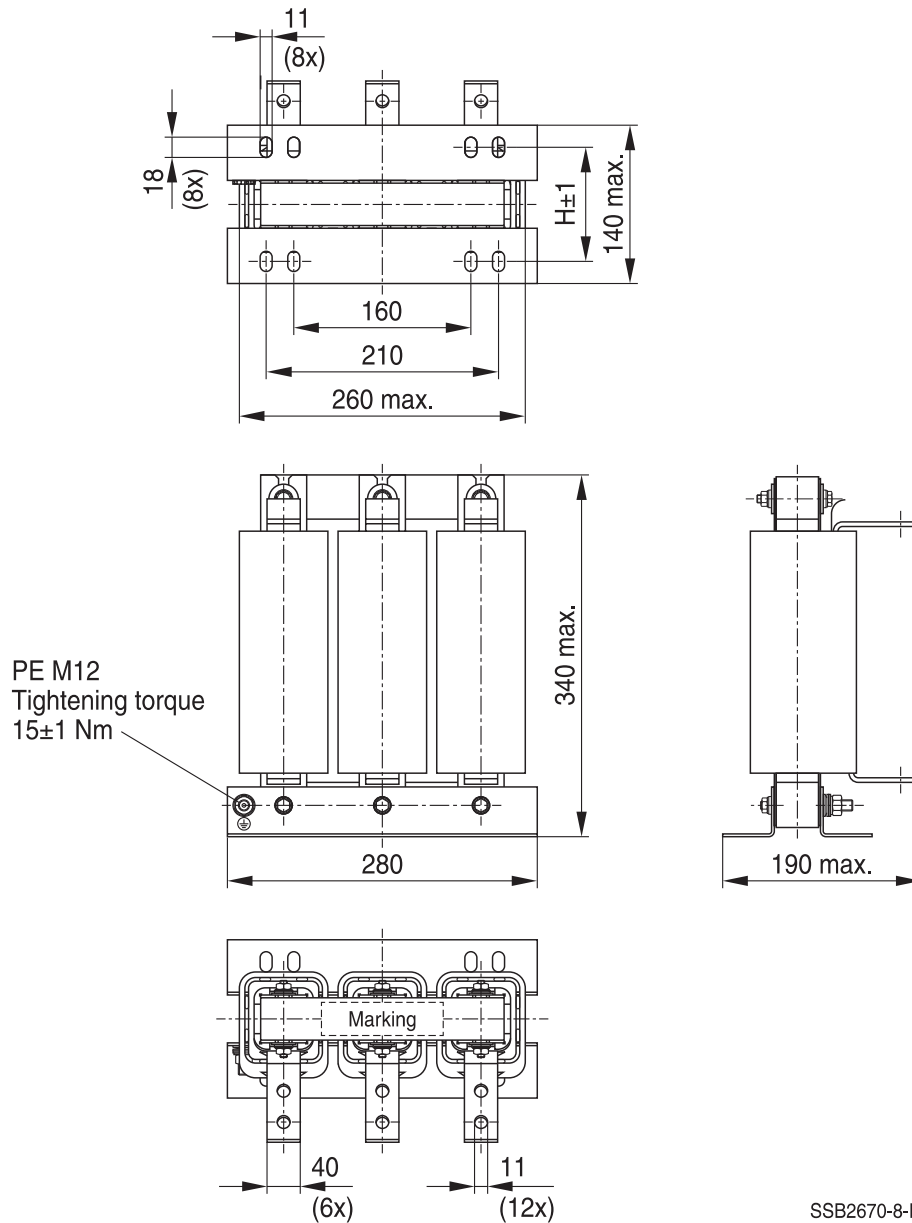
SSB2669-5-E

Ordering code	A	B	C	X	G	G1	H	I	K
B86301U0180S000	240	200	140	20 × 3	140	190	95	135	230
B86301U0250S000	245	240	150	20 × 3	140	190	95	135	230
B86301U0320S000	270	245	165	30 × 3	140	190	100	140	230
B86301U0360S000	265	255	170	30 × 3	140	190	111	150	230

General tolerances according to ISO 2768–cL

Dimensions in mm

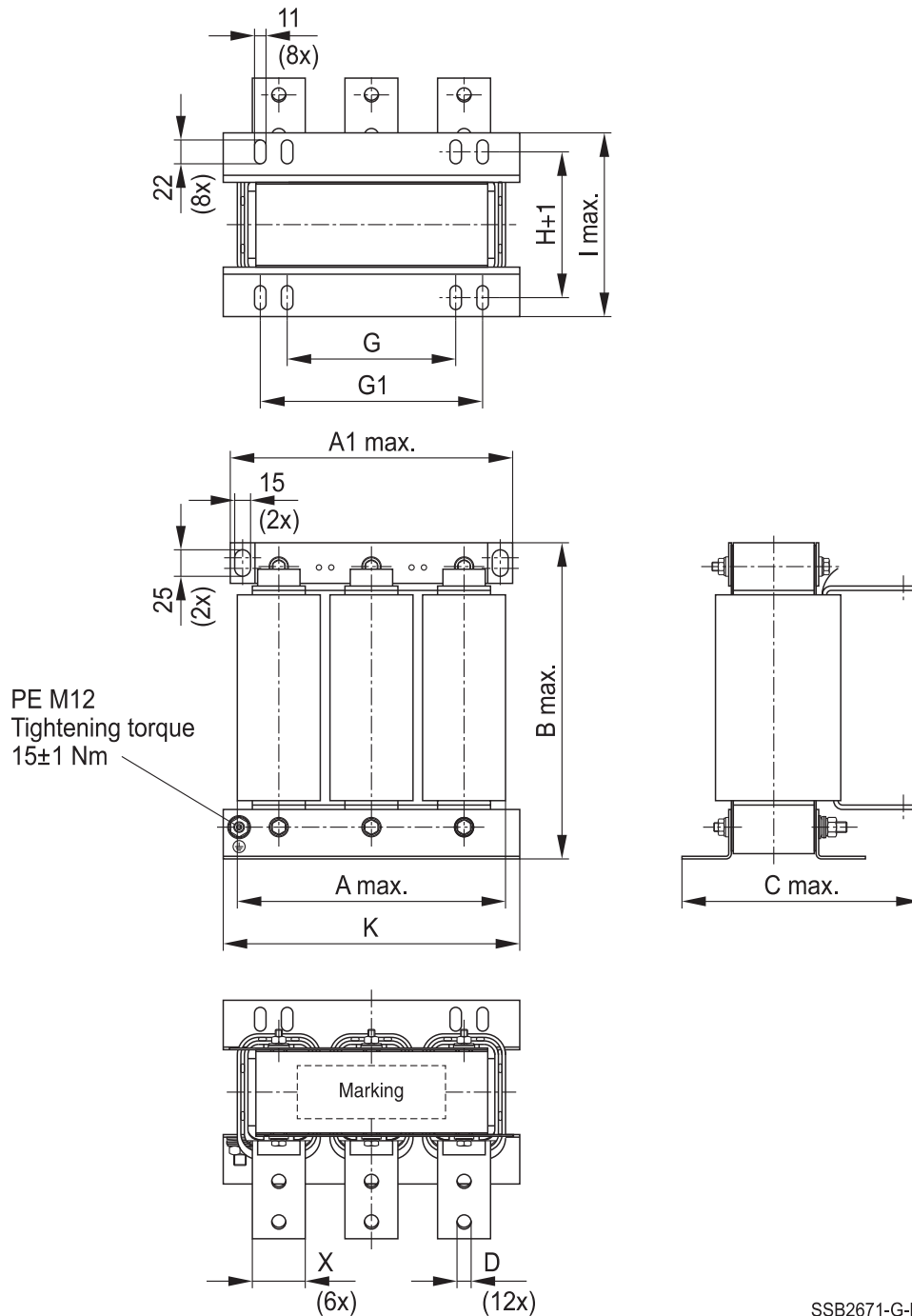
Busbar connection see section "Mechanical properties"

B86301U0400S000, B86301U0500S000 (400 A, 500 A)


SSB2670-8-E

 General tolerances according to ISO 2768–cL
 Dimensions in mm

Ordering code	H
B86301U0400S000	95
B86301U0500S000	101

B86301U0720S000 ... B86301U1500S000 (720 A ... 1500 A)


SSB2671-G-E

 General tolerances according to ISO 2768–cL
 Dimensions in mm

Ordering code	A	A1	B	C	D	X	G	G1	H	I	K
B86301U0720S000	295	290	335	230	13.5	40 × 5	160	210	123	165	320
B86301U0950S000	290	290	550	240	13.5	50 × 5	190	230	95	145	320
B86301U1500S000	360	340	570	240	13.5	50 × 5	230	270	122	170	360

Cautions and warnings

- Please note further advice in our website www.tdk-electronics.tdk.com/pemc_filters_gti
- It shall be ensured that only qualified persons (electricity specialists) are engaged on work such as planning, assembly, installation, operation, repair and maintenance. They must be provided with the corresponding documentation.
- Danger of electric shock: The products contain components that store an electric charge. Dangerous voltages can continue to exist at the product terminals for longer than five minutes even after the power has been switched off.
- The protective earth connections shall be the first to be made when the product is installed and secured against loosening by defined tightening torque. Remove them at last, when uninstalling. Depending on the magnitude of the leakage currents, the particular specifications for making the protective-earth connection must be observed.
- Impermissible overloading of the product, such as with circuits able to cause resonances, impermissible voltages at higher frequencies etc. can lead to bodily injury and death as well as cause substantial material damages (e.g. destruction of the product housing).
- The products must be protected in the application against impermissible exceeding of the rated currents by overcurrent protective devices.
- For leakage currents >10 mA, a fixed connection of the protective earth conductor to the public power grid is required. This means that connection via plug connectors is not permitted. The protective conductor must have a minimum cross-section of 10 mm² Cu or 16 mm² Al over its entire length. Alternatively, two separate protective conductors with the minimum cross-section specified in each case can also be connected.
- For leakage currents 3.5 mA $< I_{LK}^a) \leq 10$ mA, the following solutions are possible:
 - Stationary device with fixed connection
 - Stationary device with type B plug-in connection (industrial plug-in connection according to IEC 60309) and cross-section ≥ 2.5 mm²
 - Stationary device with type A plug-in connection (non-industrial plug-in device) and additional second protective earth connection
 - Movable equipment with type A plug-in connection and additional second protective earth connection in premises with restricted access
- The products must be protected in the application against impermissible exceeding of the specification parameter.
- The converter output frequency must be within the specified range to avoid resonances and uncontrolled warming of the output chokes and output filters.
- The components can become very hot during operation, there is the risk of burns if touched. The product can remain hot for some time after the power is switched off!
- The products are only to be attached to the fixings or mounting holes provided for this purpose in accordance with the data sheet. It is not permitted for the product specified in the data sheet to assume a mechanical function in the final application, in particular any type of tension or pressure on the product must be prevented.

a) I_{LK} = Leakage current

Display of ordering codes for TDK Electronics products

The ordering code for one and the same product can be represented differently in data sheets, data books, other publications, on the company website, or in order-related documents such as shipping notes, order confirmations and product labels. The varying representations of the ordering codes are due to different processes employed and do not affect the specifications of the respective products.

Detailed information can be found on the Internet under www.tdk-electronics.tdk.com/orderingcodes.

The table below summarizes the safety instructions that must be observed without fail. A detailed description can be found in the relevant chapters of the databook.

Topic	Instructions	Reference chapter (data book), paragraph
Selecting a filter	When selecting a filter, it is mandatory to observe the rated data of the equipment (such as its rated input current, rated voltage, harmonic content etc.) as well as the derating instructions in Chapters 9 and 10.	Selection guide for converter filters
Rated voltage	When power distribution systems deviating from the symmetric TN-S system is to check the suitability of the filters and the allowed voltages including the fault cases.	Power distribution systems, 7
Protection from residual voltages Discharge resistors	Active parts must be discharged within 5 s to a voltage of less than 60 V (or 50 μ C). If this limit cannot be observed due to the operating mode, the hazardous point must be permanently marked in a clearly visible way. Filters which are not permanently connected (e.g. when the test voltage is applied to the filter at the incoming goods inspection) must be discharged after the voltage has been switched off.	Safety regulations, 6.1 Safety regulations, 6.2
Installing and removing of filters Installation	When installing and removing our filters, a voltage-free state must be set up and secured with observance of the five safety rules described in EN 50110-1.	Safety regulations, 6.4
Use in IT systems	The special features of the IT system ("first fault case" and other fault cases) shall be observed.	Power distribution system (network types), 7.6
Safety notes on leakage currents	The filter leakage currents specified in the data book are intended for user information only. The maximum leakage current of the entire electrical equipment or appliance has to be limited for safety reasons. Please obtain the applicable limits for your application from the relevant regulations, provisions and standards.	Leakage current, 8.4 Leakage current, 8.6

Topic	Instructions	Reference chapter (data book), paragraph
Voltage derating Hazards caused by overloading the filters	If the permissible limits for the higher-frequency voltages at the filter are exceeded, the filter may be damaged or destroyed.	Voltage derating, 9.8
Current derating at elevated ambient temperatures	Non-observance of the current derating may lead to overheating and consequently represents a fire hazard.	Current derating, 10.1
Protective earth connection at operating currents >250 A	For operating currents greater than 250 A, we recommend the PE connection to be set up between the feed (filter: line) and output (filter: load) not via the PE terminal bolt in the filter housing.	Mounting instructions, point 2
Mounting position	Note the mounting position of the filters! It must always be ensured that natural convection is not impaired.	Mounting instructions, point 13
Long motor cables	Long motor cables cause parasitic currents in the installation. The cable lengths indicated for the output chokes and output filters serve for orientation. The user must check the technical parameters and especially the choke temperatures for the respective application.	Mounting instructions, point 15

Symbols and terms

Symbol	English	German
α	Insertion loss	Einfügungsdämpfung
C_R	Rated capacitance	Bemessungskapazität
C_X	Capacitance X capacitor	Kapazität X-Kondensator
C_Y	Capacitance Y capacitor	Kapazität Y-Kondensator
ΔV	Voltage drop (input to output)	Spannungsabfall (Eingang zu Ausgang)
dv/dt	Rate of voltage rise	Spannungsanstiegsgeschwindigkeit
f	Frequency	Frequenz
f_M	Converter output frequency	Motorfrequenz
f_P	Pulse frequency	Pulsfrequenz
f_R	Rated frequency	Bemessungsfrequenz
f_{res}	Resonant frequency	Resonanzfrequenz
I_C	Current through capacitor	Strom durch Kondensator
I_{LK}	Filter leakage current	Filter-Ableitstrom
I_{max}	Maximum current	Maximalstrom
I_N	Nominal current	Nennstrom
I_{op}	Operating current (design current)	Betriebsstrom
I_{pk}	Rated peak withstand current	Bemessungsstoßstromfestigkeit
I_q	Capacitive reactive current	Kapazitiver Blindstrom
I_R	Rated current	Bemessungsstrom
I_S	Interference current	Störstrom
L	Inductance	Induktivität
L_R	Rated inductance	Bemessungsinduktivität
L_{stray}	Stray inductance	Streuinduktivität
P_L	Power loss	Verlustleistung
R	Resistance	Widerstand
R_{is}	Insulation resistance	Isolationswiderstand
R_{typ}	DC resistance, typical value	Gleichstromwiderstand typisch
T_A	Ambient temperature	Umgebungstemperatur
T_{max}	Upper category temperature	Obere Kategorietemperatur
T_{min}	Lower category temperature	Untere Kategorietemperatur
T_R	Rated temperature	Bemessungstemperatur
u_k	Referred voltage drop in %	Bezogener Spannungsabfall in %
V_{eff}	RMS voltage	Effektivspannung
V_K	Voltage drop	Spannungsabfall
V_{LE}	Voltage line to earth; voltage line to ground	Spannung Phase zu Erdpotential
V_N	Nominal voltage	Nennspannung
V_R	Rated voltage	Bemessungsspannung
V_{peak}	Peak voltage	Spitzenspannung
V_{test}	Test voltage	Prüfspannung

Symbol	English	German
V_X	Voltage over X capacitor	Spannung über X-Kondensator
V_Y	Voltage over Y capacitor	Spannung über Y-Kondensator
X_L	Inductive reactance	Induktiver Blindwiderstand
Z	Impedance	Scheinwiderstand
$ Z $	Impedance, absolute value	Scheinwiderstand (Betragswert)

Important notes

The following applies to all products named in this publication:

1. Some parts of this publication contain **statements about the suitability of our products for certain areas of application**. These statements are based on our knowledge of typical requirements that are often placed on our products in the areas of application concerned. We nevertheless expressly point out **that such statements cannot be regarded as binding statements about the suitability of our products for a particular customer application**. As a rule we are either unfamiliar with individual customer applications or less familiar with them than the customers themselves. For these reasons, it is always ultimately incumbent on the customer to check and decide whether a product with the properties described in the product specification is suitable for use in a particular customer application.
2. We also point out that **in individual cases, a malfunction of electronic components or failure before the end of their usual service life cannot be completely ruled out in the current state of the art, even if they are operated as specified**. In customer applications requiring a very high level of operational safety and especially in customer applications in which the malfunction or failure of an electronic component could endanger human life or health (e.g. in accident prevention or life-saving systems), it must therefore be ensured by means of suitable design of the customer application or other action taken by the customer (e.g. installation of protective circuitry or redundancy) that no injury or damage is sustained by third parties in the event of malfunction or failure of an electronic component.
3. **The warnings, cautions and product-specific notes must be observed.**
4. In order to satisfy certain technical requirements, **some of the products described in this publication may contain substances subject to restrictions in certain jurisdictions (e.g. because they are classed as hazardous)**. Useful information on this will be found in our Material Data Sheets on the Internet (www.tdk-electronics.tdk.com/material). Should you have any more detailed questions, please contact our sales offices.
5. We constantly strive to improve our products. Consequently, **the products described in this publication may change from time to time**. The same is true of the corresponding product specifications. Please check therefore to what extent product descriptions and specifications contained in this publication are still applicable before or when you place an order.
We also **reserve the right to discontinue production and delivery of products**. Consequently, we cannot guarantee that all products named in this publication will always be available. The aforementioned does not apply in the case of individual agreements deviating from the foregoing for customer-specific products.
6. Unless otherwise agreed in individual contracts, **all orders are subject to our General Terms and Conditions of Supply**.

Important notes

7. **Our manufacturing sites serving the automotive business apply the IATF 16949 standard.** The IATF certifications confirm our compliance with requirements regarding the quality management system in the automotive industry. Referring to customer requirements and customer specific requirements ("CSR") TDK always has and will continue to have the policy of respecting individual agreements. Even if IATF 16949 may appear to support the acceptance of unilateral requirements, we hereby like to emphasize that **only requirements mutually agreed upon can and will be implemented in our Quality Management System**. For clarification purposes we like to point out that obligations from IATF 16949 shall only become legally binding if individually agreed upon.
8. The trade names EPCOS, CarXield, CeraCharge, CeraDiode, CeraLink, CeraPad, CeraPlas, CSMP, CTVS, DeltaCap, DigiSiMic, FilterCap, FormFit, InsuGate, LeaXield, MediPlas, MiniBlue, MiniCell, MKD, MKK, ModCap, MotorCap, PCC, PhaseCap, PhaseCube, PhaseMod, PhiCap, PiezoBrush, PlasmaBrush, PowerHap, PQSine, PQvar, SIFERRIT, SIFI, SIKOREL, SilverCap, SIMDAD, SiMic, SIMID, SineFormer, SIOV, SurfIND, ThermoFuse, WindCap, XieldCap are **trademarks registered or pending** in Europe and in other countries. Further information will be found on the Internet at www.tdk-electronics.tdk.com/trademarks.

Release 2024-02