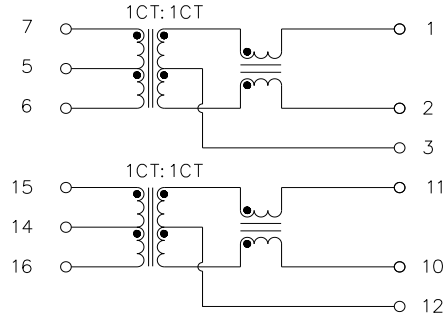
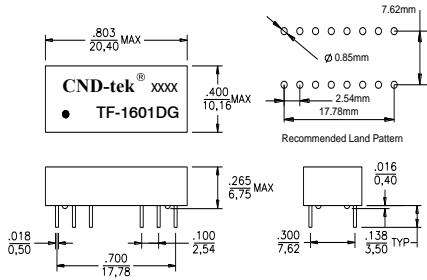


- Compatible with various 10/100 Base-TX transceiver requiring 1:1 transmit and receive turns ratio
- Compliant with IEEE 802.3 standard including baseline wander compensation specification of  $350\mu\text{H}$  OCL when Biased at 8mA from  $0\text{ }^{\circ}\text{C}$  to  $70\text{ }^{\circ}\text{C}$
- Single channel interface for 10/100Mbps Ethernet applications with CMC's tuned to Enhance EMC system performance
- Available in Through Hole package.
- Operating Temperature range:  $0\text{ }^{\circ}\text{C}$  TO  $+70\text{ }^{\circ}\text{C}$
- Storage temperature range:  $-25\text{ }^{\circ}\text{C}$  TO  $+125\text{ }^{\circ}\text{C}$



## DIMENSIONS & SCHEMATICS

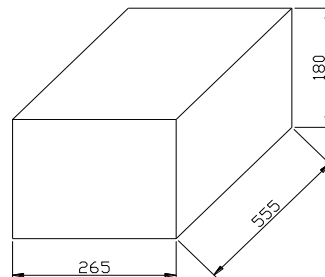
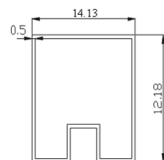
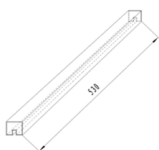


**Note:** 1. Dimension: mm; 2. Unless otherwise specified, tolerances are:  $\pm 0.05\text{mm}$ ; 3. Cut 4, 8, 9, 13 PIN

## TECHNICAL SPECIFICATIONS

OCL :	$350\ \mu\text{H}$ Min. @ 100 KHz, 100mV with 8mA DC Bias
Leakage Inductance:	$0.5\ \mu\text{H}$ Max. @ 100KHz, 0.2V
Cw/w:	28F Max. @ 100KHz, 0.2V
DCR:	$1.20\ \Omega$ Max.
Turns Ratio( $\pm 5\%$ ):	1CT:1(TX), 1CT:1(RX)
Polarity:	7-1, 15-11 In-Phase
Insertion Loss:	-1.1 dB Max. (TX & RX) @ 1-100 MHz
Return Loss:	-18 dB Min @ 0.5-30MHz -15 dB Min @ 40 MHz -13 dB Min @ 60 MHz -11 dB Min @ 80 MHz -10 dB Min. @ 100 MHz
Cross Talk:	-45 dB Min. @ 30 MHz -40 dB Min. @ 60 MHz -35 dB Min. @ 100 MHz
Common Mode Rejection :	-43 dB Min. @ 1-30 MHz -37 dB Min. @ 60 MHz -33 dB Min. @ 80-100 MHz
Isolation HI-POT:	1500Vrms 1mA 1Second

## PACKING SPECIFICATION



- units/reel: 25PCS
- reel/carton: 280PCS
- units/carton : 7000PCS