

# **AC1289A0 Datasheet**

**Zhuhai Jieli Technology Co.,LTD**

**Version: 1.0**

**Date: 2022.09.19**

## AC1289A0 Features

### CPU

- 32bit DSP
- Maximum speed 160MHz
- 16KB I-Cache / RO-Cache
- Interrupts with 8 priority level

### Memory

- 32KB OTP
- 40KB SRAM
- Optional built-in flash memory

### Clocks

- On-chip 16 MHz clock
- On-chip 200KHz lower-temperature-drift clock
- 12 MHz crystal oscillator

### DSP Audio Processing

- Support MP2, MP3, WMA, WAV decoding
- Multi-band DRC limiter
- Multi-band EQ configuration for voice Effects

### Audio Codec

- Two channels 16-bit DAC, single-ended with SNR  $\geq$  97dB, differential with SNR  $\geq$  100dB
- One channel 24-bit ADC, SNR  $\geq$  88dB
- Audio DAC Sampling rates of 8KHz/11.025KHz/16KHz/22.05KHz/24KHz/32KHz/44.1KHz/48KHz/64KHz/88.2KHz/96KHz are supported
- Audio ADC Sampling rates of 8KHz/11.025KHz/16KHz/22.05KHz/24KHz/32KHz/44.1KHz/48KHz are supported
- Audio DAC support single-ended and differential cap-less mode
- Support analog line-in
- Support OMTP and CTIA earphone plug-in and pull-out detection

- Direct drive 16ohm/32ohm Speaker loading

### Peripherals

- One full speed USB OTG controller
- One SD host controller for MMC/SD
- Three multi-function 32-bit timers, support capture and PWM mode
- UART0 controller
- The UART1 supports DMA and flow control
- One IIC Master controller
- Two SPI Master / Slaver controller with DMA
- One QDEC interface
- 5-channel 10-bit general purpose ADC
- 4-channel Advance PWM controller
- 9 Individually programmable and multiplexed GPIO pins
- Digital peripheral crossbar
- Up to 9 external interrupt / wake-up source ( low power available, can be multiplexed to any I/O )

### PMU

- Built-in lithium battery charging manager, up to 120mA charging current
- RTC Alarm Wakeup
- Less than 2uA soft off current
- VPWR range : 4.5V to 5.5V
- VBAT range : 2.2V to 4.5V
- IOVDD range : 2.1V to 3.6V

### Packages

- QFN20(3mm\*3mm)

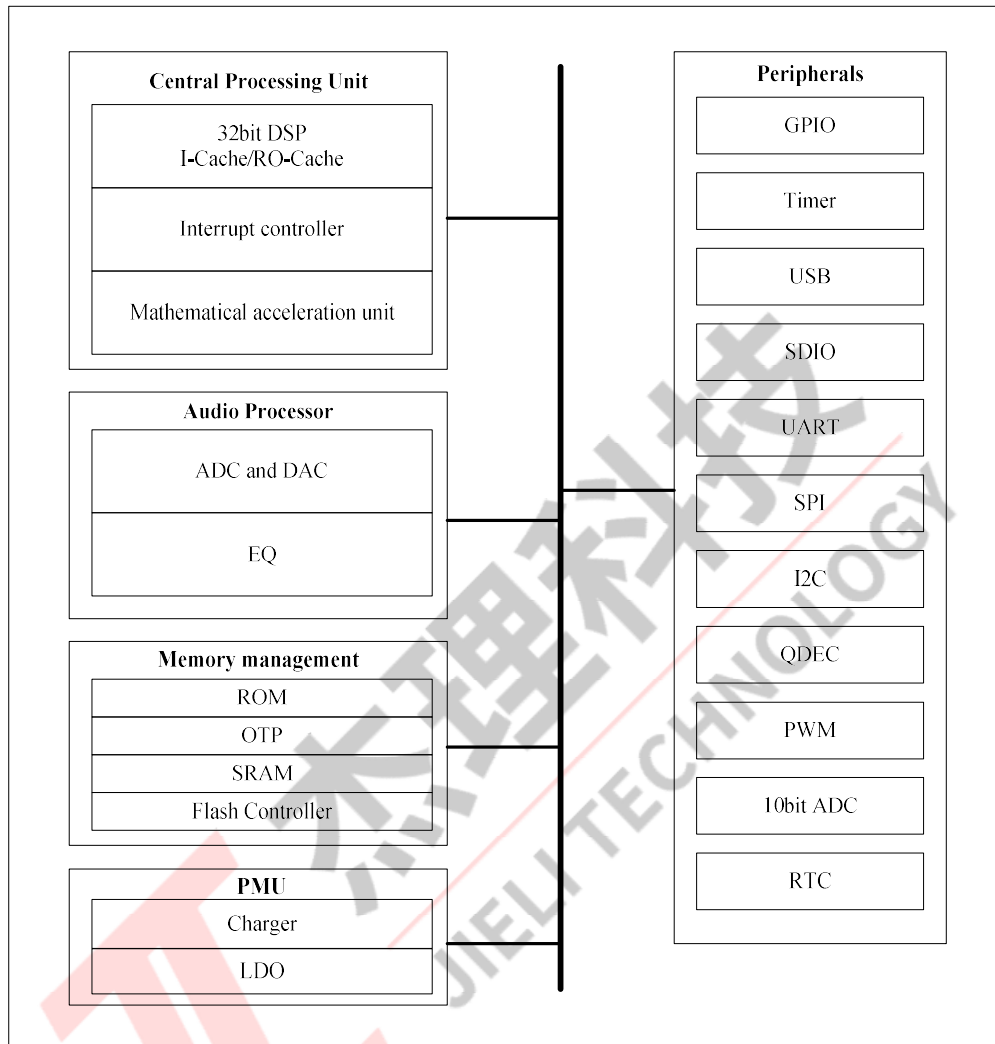
### Temperature

- Operating temperature: -40°C to +85°C
- Storage temperature: -65°C to +150°C

### Applications

- Usb headset

# 1 Block Diagram



**Figure 1-1 AC1289A Block Diagram**

## 2 Pin Definition

### 2.1 Pin Assignment

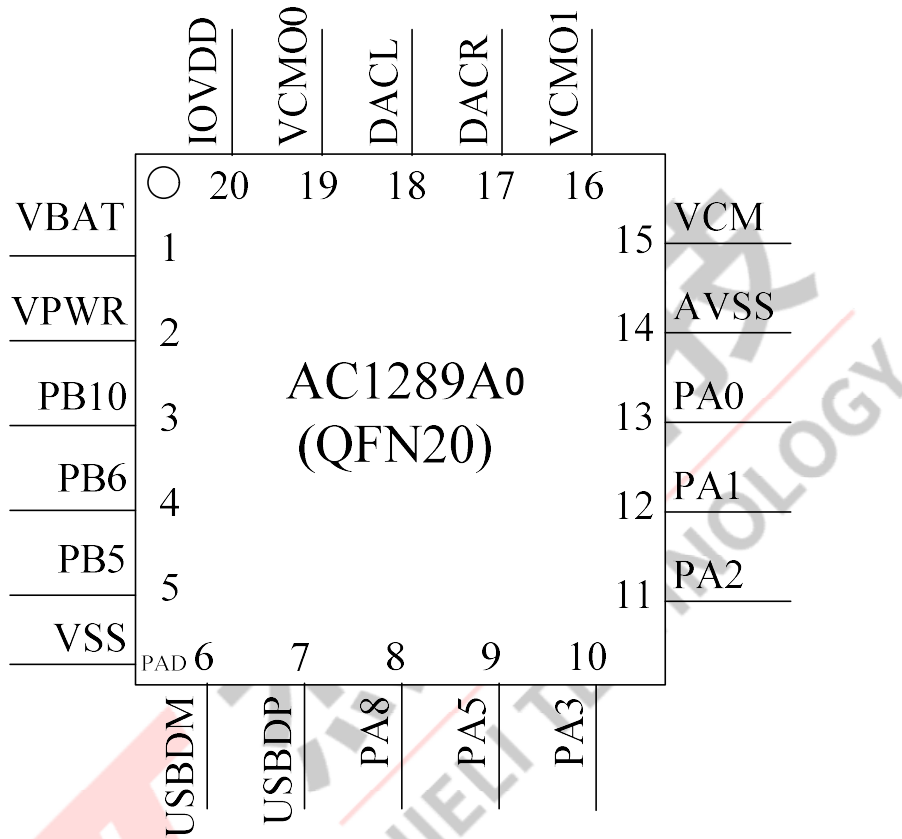


Figure 2-1 AC1289A Package Diagram

## 2.2 Pin Description

**Table 2-1 AC1289A Pin Description**

PIN NO.	Name	Type	Function	Other Function
1	VBAT	P		Battery interface;
2	VPWR (PP0)	PI (I/O)	GPIO	Charge Power Input; UART1TXA:Uart1 Data Output(A); UART1RXA:Uart1 Data Input(A); CAP1:Timer1 Capture;
3	PB10	I/O	GPIO	PPS_DAT:Power protocol slave control; CLKOUT3:Clock Out3;
4	PB6	I/O	GPIO	OSC12MO:12MHz crystal oscillator output; ADC8:ADC Input Channel 8;
5	PB5	I/O	GPIO	OSC12MI:12MHz crystal oscillator input;
6	UDBDM	I/O	USB Negative Data (pull down)	SPI1DO(A):SPI1 Data Out(A); IIC0_SDA(A):IIC0 SDA(A); UART0RXA:Uart0 Data Input(A); ADC15:ADC Input Channel 15;
7	USBDP	I/O	USB Positive Data (pull down)	SPI1CLKA:SPI1 Clk(A); IIC0_SCL(A):IIC0 SCL(A); UART0TXA:Uart0 Data Output(A); ADC14:ADC Input Channel 14;
8	PA8	I/O	GPIO (pull up)	Long press reset; ADC3:ADC Input Channel 3;
9	PA5	I/O	GPIO	PPM_DAT0:Power protocol master control 0; FPIN0;
10	PA3	I/O	GPIO	PPM_DAT1:Power protocol master control 1; UART1_RTS:Uart1 request to send; PWMCH0L:Motor PWM Channel0(L);
11	PA2	I/O	GPIO	MICIN1:MIC1 Input Channe; UART1_CTS:Uart1 clear to send; PWMCH0H:Motor PWM Channel0(H);
12	PA1	I/O	GPIO	MICIN0:MIC0 Input Channe; UART1RXB:Uart1 Data Input(B); TMR0:Timer0 Clock Input;
13	PA0	I/O	GPIO	MICLDO:Microphone linear voltage regulator output; ADC0:ADC Input Channel 0; UART1TXB:Uart1 Data Output(B); PWM0:Timer0 PWM Output;
14	AVSS	G		Audio ground;
15	VCM	P		Audio analog reference bias;
16	VCMO1	O		Reference output1 of the audio;

17	DACR	AO		Right channel audio output;
18	DACL	AO		Left channel audio output;
19	VCMO0	O		Reference output0 of the audio;
20	IOVDD	PO	Power supply for GPIO	Built-in linear voltage regulator output;
PAD	VSS	G		System ground;

Pin Type	Description	Pin Type	Description
P	Power	I/O	Input or Output
PI	Power Input	I	Input
PO	Power Output	O	Output
AO	Analog Output	G	Ground

### 3 Electrical Characteristics

#### 3.1 Absolute Maximum Ratings

**Table 3-1**

Symbol	Parameter	Min	Max	Unit
T <sub>opt</sub>	Operating temperature	-40	+85	°C
T <sub>stg</sub>	Storage temperature	-65	+150	°C
V <sub>BAT</sub>	Supply Voltage	-0.3	4.5	V
V <sub>PWR</sub>	Charger Voltage	-0.3	6	V
V <sub>IOVDD</sub>	Voltage applied at IOVDD	-0.3	3.6	V
V <sub>GPIO</sub>	Voltage applied to GPIO	-0.3	IOVDD+0.3	V

Note : The chip can be damaged by any stress in excess of the absolute maximum ratings listed below

#### 3.2 PMU Characteristics

**Table 3-2**

Symbol	Parameter	Min	Typ	Max	Unit	Test Conditions
V <sub>BAT</sub>	Voltage Input	2.2	3.7	4.5	V	-
V <sub>PWR</sub>	Charger supply Voltage	4.5	5.0	5.5	V	-
IOVDD	Voltage output	2.1	3.0	3.6	V	V <sub>BAT</sub> = 4.2V, 10mA loading
	Loading current	-	-	100	mA	IOVDD=3.3V@V <sub>BAT</sub> = 3.6V
V <sub>LVD</sub>	Voltage input	2.1	2.8	2.8	V	Low-Voltage Detection of IOVDD

#### 3.3 Battery Charge

**Table 3-3**

Symbol	Parameter	Min	Typ	Max	Unit	Test Conditions
V <sub>PWR</sub>	Charge Input Voltage Range	4.5	5	5.5	V	-
V <sub>BAT Float</sub>	Battery Charge Termination Voltage	4.15	4.2	4.25	V	V <sub>PWR</sub> > 4.5V
		4.30	4.35	4.40	V	V <sub>PWR</sub> > 4.65V
I <sub>BAT</sub>	Fast Charge Current	20	-	120	mA	V <sub>BAT</sub> =4.0V@V <sub>PWR</sub> =5.0V
I <sub>END</sub>	Charge Termination Current Threshold	2	-	12	mA	CHG_IIFULL_S==0,1
V <sub>Trinkl</sub>	Trickle Charge Voltage	-	3.0	-	V	V <sub>PWR</sub> > 4.5V
I <sub>Trinkl</sub>	Trickle Charge Current	2	-	12	mA	V <sub>BAT</sub> < V <sub>Trinkl</sub>

### 3.4 IO Input/Output Electrical Logical Characteristics

Table 3-4

GPIO input characteristics						
Symbol	Parameter	Min	Typ	Max	Unit	Test Conditions
$V_{IL}$	Low-Level Input Voltage	-0.3	–	0.3* IOVDD	V	IOVDD = 3.0V
$V_{IH}$	High-Level Input Voltage	0.7* IOVDD	–	IOVDD+0.3	V	IOVDD = 3.0V
GPIO output characteristics						
Symbol	Parameter	Min	Typ	Max	Unit	Test Conditions
$V_{OL}$	Low-Level Output Voltage	–	–	0.1* IOVDD	V	IOVDD = 3.0V
$V_{OH}$	High-Level Output Voltage	0.9* IOVDD	–	–	V	IOVDD = 3.0V

### 3.5 Internal Resistor Characteristics

Table 3-5

Port	Drive Current	Internal Pull-Up Resistor		Internal Pull-Down Resistor	Comment
PA0~PA2,PA8 PB5,PB6	2mA(HD1,HD0==0,0) 5.6mA(HD1,HD0==0,1)	10K		10K	1. PA8 default pull up 2. USBDM,USBDP default pull down 3. Internal pull-up/pull-down resistance   accuracy $\pm 20\%$
PA3,PA5	18mA(HD1,HD0==1,0) 30mA(HD1,HD0==1,1)	PU	10K	10K	
		PU1	0.2K		
PB10	27mA	10K		10K	
PP0(VPWR)	1.4mA	10K		10K	
USBDP	27mA	1.5K		15K	
USBDM		180K		15K	



### 3.6 Audio DAC Characteristics

**Table 3-6**

Parameter	MODE	Min	Typ	Max	Unit	Test Conditions	
Frequency Response		20	–	20K	Hz	1KHz/0dB 10k ohm loading With A-Weighted Filter	
Output Swing	Diff (R to L)		1.5		Vrms		
	Single-ended	–	750	–	mVrms		
THD+N	Diff (R to L)	–	-80	–	dB		
	Single-ended	–	-80	–	dB		
S/N	Diff (R to L)	–	100	–	dB		
	Single-ended	–	97@VCM cap 93@VCM capless	–	dB		
Dynamic Range	Diff (R to L)	–	100	–	dB		1KHz/-60dB 10k ohm loading With A-Weighted Filter
	Single-ended	–	97@VCM cap 93@VCM capless	–	dB		
Noise Floor	Diff (R to L)	–	13	–	uVrms		A-Weighted Filter
	Single-ended	–	11@VCM cap 18@VCM capless	–	uVrms		
Crosstalk	Single-ended	–	-93	–	dB	10KHz/0dB 10k ohm loading	
	(R and L) to VCMO	–	-60	–	dB	10KHz/0dB 32 ohm loading	
	(R and L) to VCMO	–	-57	–	dB	10KHz/0dB 16 ohm loading	

### 3.7 Audio ADC Characteristics

**Table 3-7**

Parameter	MODE	Min	Typ	Max	Unit	Test Conditions
Dynamic Range	Differential	–	88	–	dB	Fsample=44.1KHz,Gain=4dB Fin=1KHz @1Vpp NO A-wt 20Hz-20KHz
		–	83	–	dB	Fsample=44.1KHz,Gain=20dB Fin=1KHz @160mVpp NO A-wt 20Hz-20KHz
	Single-ended	–	88@VCM cap 85@VCM capless	–	dB	Fsample=44.1KHz,Gain=-2dB Fin=1KHz @1Vpp NO A-wt 20Hz-20KHz
		–	76@VCM cap 72@VCM capless	–	dB	Fsample=44.1KHz,Gain=14dB Fin=1KHz @160mVpp NO A-wt 20Hz-20KHz

S/N	Differential	-	88	-	dB	Fsample=44.1KHz,Gain=4dB Fin=1KHz @1Vpp NO A-wt 20Hz-20KHz
		-	80	-	dB	Fsample=44.1KHz,Gain=20dB Fin=1KHz @160mVpp NO A-wt 20Hz-20KHz
	Single-ended	-	88@VCM cap 85@VCM capless	-	dB	Fsample=44.1KHz,Gain=-2dB Fin=1KHz @1Vpp NO A-wt 20Hz-20KHz
		-	76@VCM cap 72@VCM capless	-	dB	Fsample=44.1KHz,Gain=14dB Fin=1KHz @160mVpp NO A-wt 20Hz-20KHz
THD+N	Differential	-	-80	-	dB	Fsample=44.1KHz,Gain=4dB Fin=1KHz @1Vpp NO A-wt 20Hz-20KHz
		-	-78	-	dB	Fsample=44.1KHz,Gain=20dB Fin=1KHz @160mVpp NO A-wt 20Hz-20KHz
	Single-ended	-	-79@VCM cap -78@VCM capless	-	dB	Fsample=44.1KHz,Gain=-2dB Fin=1KHz @1Vpp NO A-wt 20Hz-20KHz
		-	-72@VCM cap -70@VCM capless	-	dB	Fsample=44.1KHz,Gain=14dB Fin=1KHz @160mVpp NO A-wt 20Hz-20KHz

## 4 Package Information

### 4.1 QFN20\_3×3mm

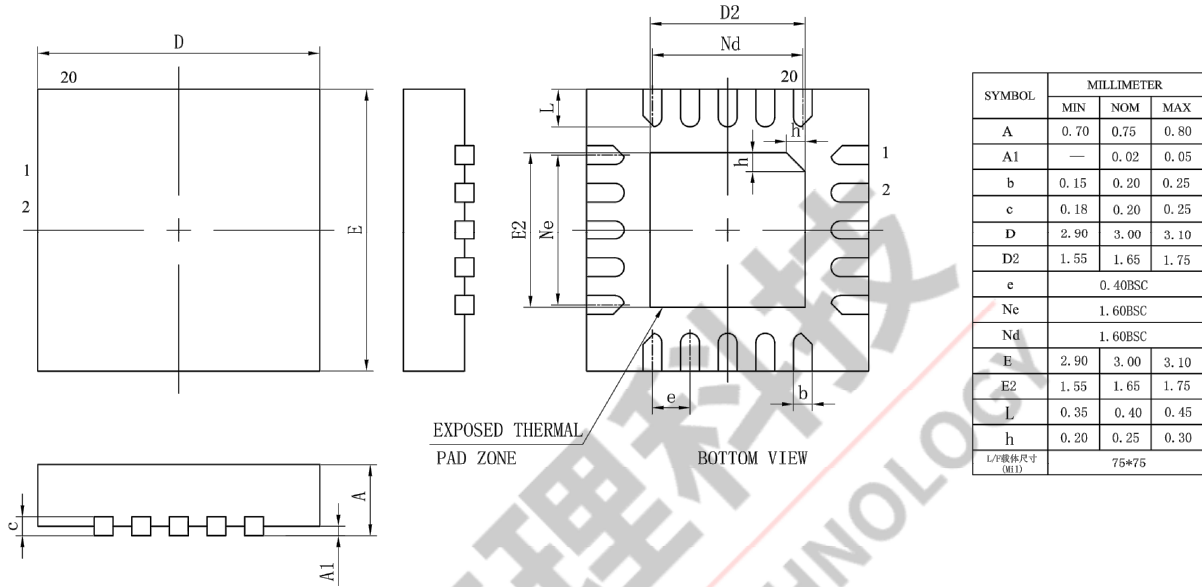
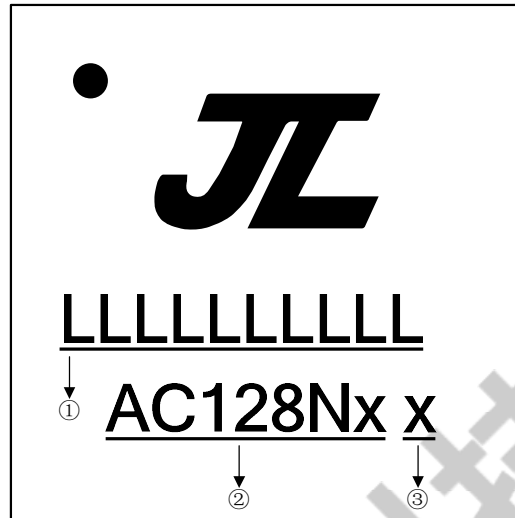


Figure 4-1 AC1289A Package

## 5 IC Marking Information



- ① LLLLLLLLLL : Production Batch
- ② AC128Nx : Chip Model
- ③ Built-in flash size
  - 0: No Flash Memory
  - 2: 2Mbit Flash
  - 4: 4Mbit Flash
  - 8: 8Mbit Flash
  - 6: 16Mbit Flash
  - 3: 32Mbit Flash

## 6 Solder-Reflow Condition

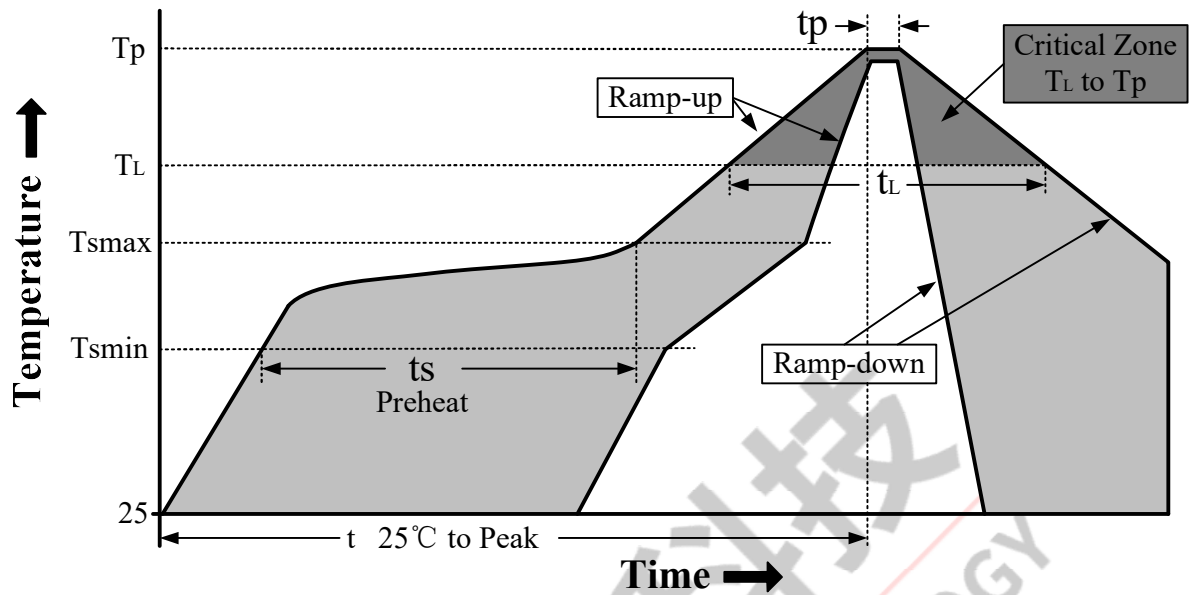


Figure 6-1 Classification Reflow Profile

### Classification Profiles

Table 6-1

Profile Feature		Sn-Pb Eutectic Assembly	Pb-Free Assembly
Preheat/ Soak	Temperature Min ( $T_{smin}$ )	100 °C	150 °C
	Temperature Max ( $T_{smax}$ )	150 °C	200 °C
	Time ( $t_s$ ) from ( $T_{smin}$ to $T_{smax}$ )	60-120 seconds	60-180 seconds
Average ramp-up rate ( $T_{smax}$ to $T_p$ )		3 °C/second max	3 °C/second max
Liquidous temperature ( $T_L$ )		183 °C	217 °C
Time ( $t_L$ ) maintained above $T_L$		60-150 seconds	60-150 seconds
Peak package body temperature ( $T_p$ )		See Table 6-2.	See Table 6-3.
Time within 5°C of actual Peak Temperature ( $t_p$ )		10-30 seconds	20-40 seconds
Ramp-down rate ( $T_p$ to $T_L$ )		6 °C/second max.	6 °C/second max.
Time 25 °C to peak temperature		6 minutes max.	8 minutes max.

Note 1: All temperatures refer to topside of the package, measured on the package body surface.

Note 2: Time within 5°C of actual peak temperature ( $t_p$ ) specified for the reflow profiles is a “supplier” minimum and “user” maximum.

### SnPb - Classification Temperature

Table 6-2

Package Thickness	Volume $mm^3$ < 350	Volume $mm^3$ $\geq 350$
<2.5 mm	240 +0/-5 °C	225 +0/-5 °C
$\geq 2.5$ mm	225 +0/-5 °C	225 +0/-5 °C

**Pb-free - Classification Temperature**      **Table 6-3**

<b>Package Thickness</b>	<b>Volume mm<sup>3</sup> &lt; 350</b>	<b>Volume mm<sup>3</sup> 350 - 2000</b>	<b>Volume mm<sup>3</sup> &gt; 2000</b>
< 1.6mm	260 °C	260 °C	260 °C
1.6 mm - 2.5mm	260 °C	250 °C	245 °C
> 2.5mm	250 °C	245 °C	245 °C



## 7 Revision History

Date	Revision	Description
2022.09.19	V1.0	Initial Release.

