

Ultra-Low Noise Amplifier for Global Navigation Satellite Systems (GNSS)

FEATURES

- Reduce RF environment Interference with patented Smart-Linearity-Technology (SLT);
- Ultra low current=7.8mA;
- Ultra low noise figure(NF)=0.9dB;
- High power gain=18.9dB;
- High input 1dB-compression point=-10.5dBm;
- GPS L1 requires only one input matching inductor;
- RF output internally matched to 50 ohm for GPS L1;
- Supply voltage: 1.5V to 3.3V;
- Operating frequencies: 1550~1615MHz; 1164~1215MHz;
- DFN 1.1 mmX0.9 mmX0.45 mm-6L package
- ± 3 kV HBM ESD protection (including RFIN and RFOUT pin)

APPLICATIONS

- Smart Phones, Feature Phones;
- Tablet PCs;
- Personal Navigation Devices;
- Digital Still Cameras, Digital Video Cameras;
- RF Front End modules;
- Complete GPS chipset modules;
- Theft protection(laptop, ATM);

GENERAL DESCRIPTION

The AW15245DNR is a Low Noise Amplifier designed for Global Navigation Satellite Systems (GNSS) as GPS, Beidou, GLONASS, Galileo and Compass. With on-chip DC blocking capacitors at RFIN and RFOUT, The AW15245DNR can be close to the antenna, requires only one external input matching inductor for GPS L1, and reduces assembly complexity and the PCB area, enabling a cost-effective solution.

The AW15245DNR with patented Smart Linearity Technology (SLT) achieves ultra-low noise figure, high linearity, high gain, over a wide range of supply voltages from 1.5V up to 3.3V. All these features make AW15245DNR an excellent choice for GNSS LNA as it improves sensitivity with low noise figure and high gain, provide better immunity against out-of-band jammer signals with high linearity, reduces filtering requirement of preceding stage and hence reduces the overall cost of the GNSS receiver.

The AW15245DNR is available in a small lead-free, RoHS-Compliant, DFN 1.1 mm X 0.9 mm X 0.45 mm-6L package.

TYPICAL APPLICATION CIRCUIT

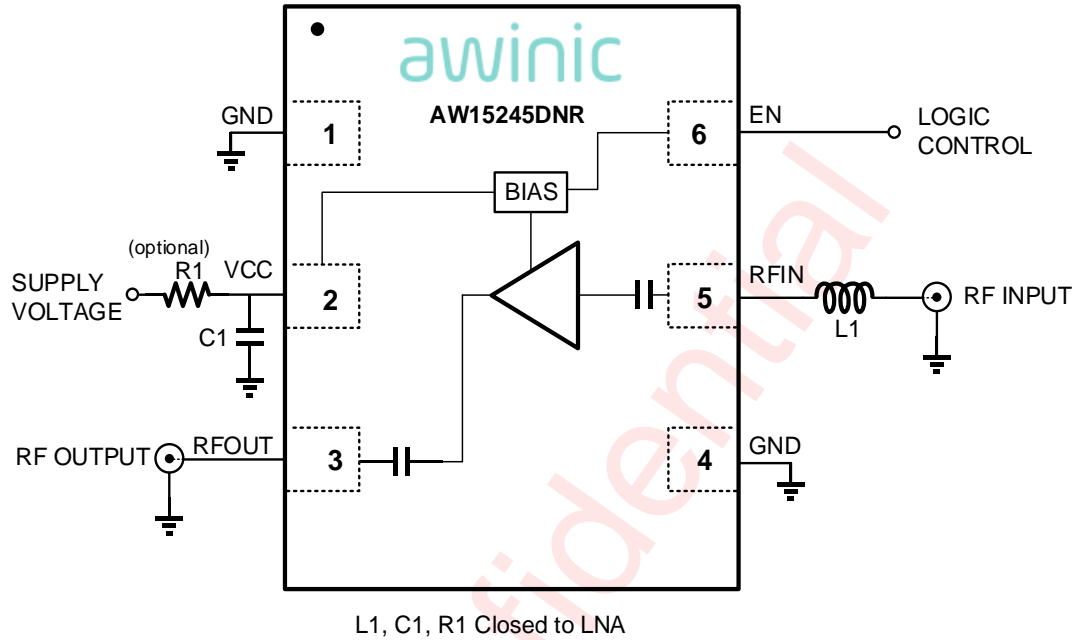


Figure 1(a) Typical Application Circuit of AW15245DNR for GPS L1

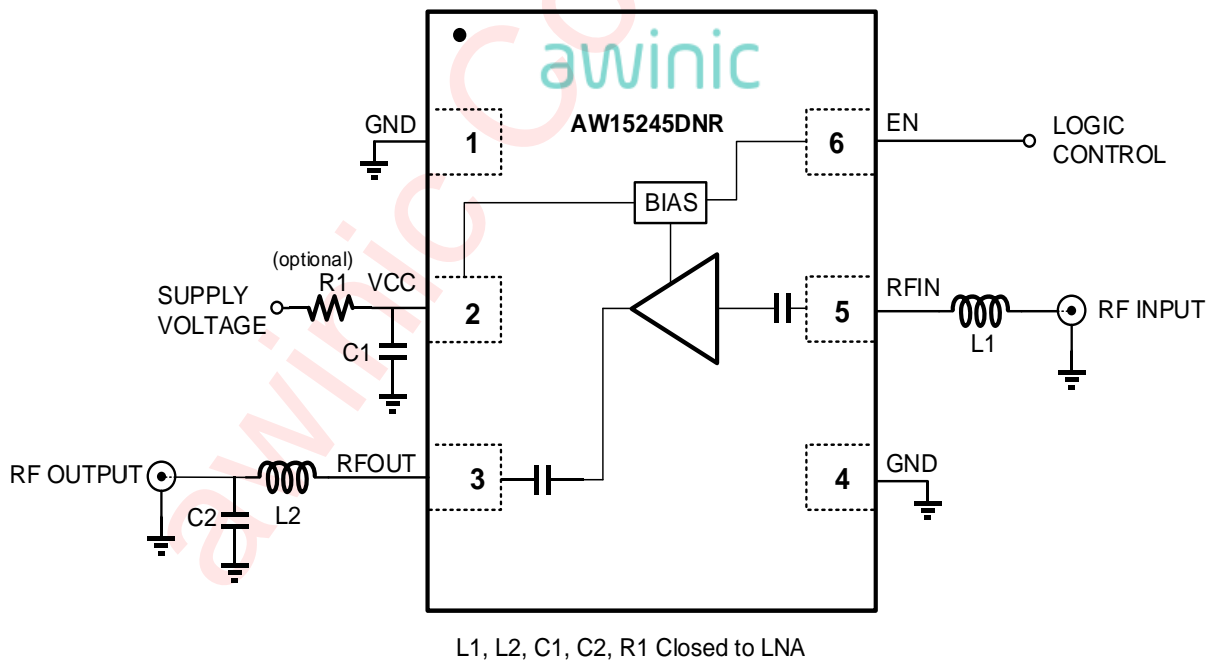


Figure 1(b) Typical Application Circuit of AW15245DNR for GPS L5

RECOMMENDED COMPONENTS LIST

Table1 and table2 list the recommended inductor types and values; Table 3 lists the recommended capacitor types and values.

Table1: list of inductor for GPS L1

Component	Part Number	Inductance	Q(min)	Q Test Frequency	Supplier	Size
	Units	nH		MHz		
L1	LQW15A	10	25	250	Murata	0402
L1	SDWL1005C	10	24	250	Sunlord	0402

Table2: list of inductor for GPS L5

Component	Part Number	Inductance	Q(min)	Q Test Frequency	Supplier	Size
	Units	nH		MHz		
L1	LQW15A	18	25	250	Murata	0402
L2	LQW15A	8.7	25	250	Murata	0402

Table2: list of capacitor

Component	Part Number	Capacitance	Rated Voltage	Supplier	Size
	Units	pF	V		
C1	GRM155	1000	50	Murata	0402
C2	GRM155	1.5	50	Murata	0402

PIN CONFIGURATION AND TOP MARK

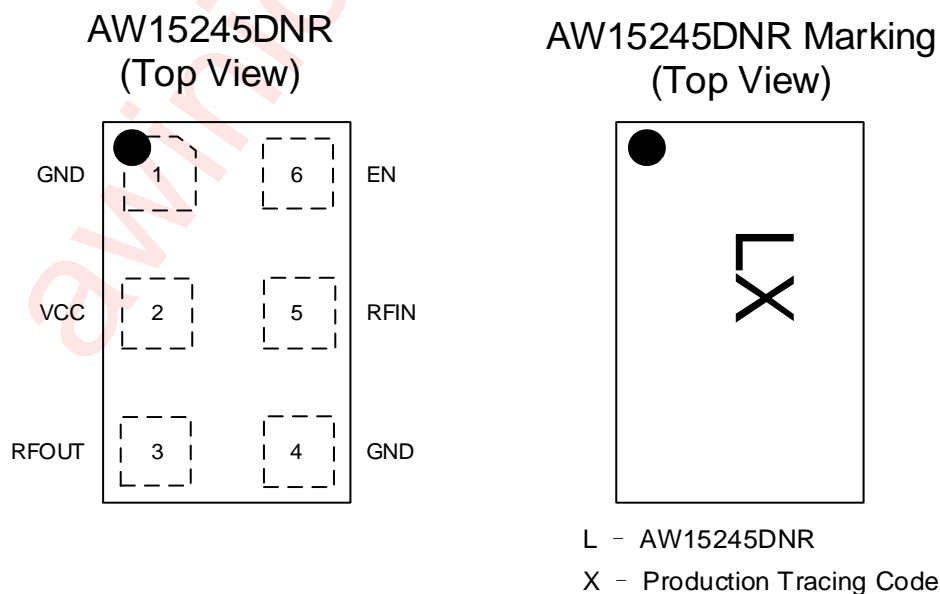


Figure 2 Pin Configuration and Top Mark

PIN DEFINITION

No.	NAME	DESCRIPTION
1	GND	Ground
2	VCC	DC Supply
3	RFOUT	LNA output
4	GND	Ground
5	RFIN	LNA input
6	EN	Logic control

awinic Confidential

FUNCTIONAL BLOCK DIAGRAM

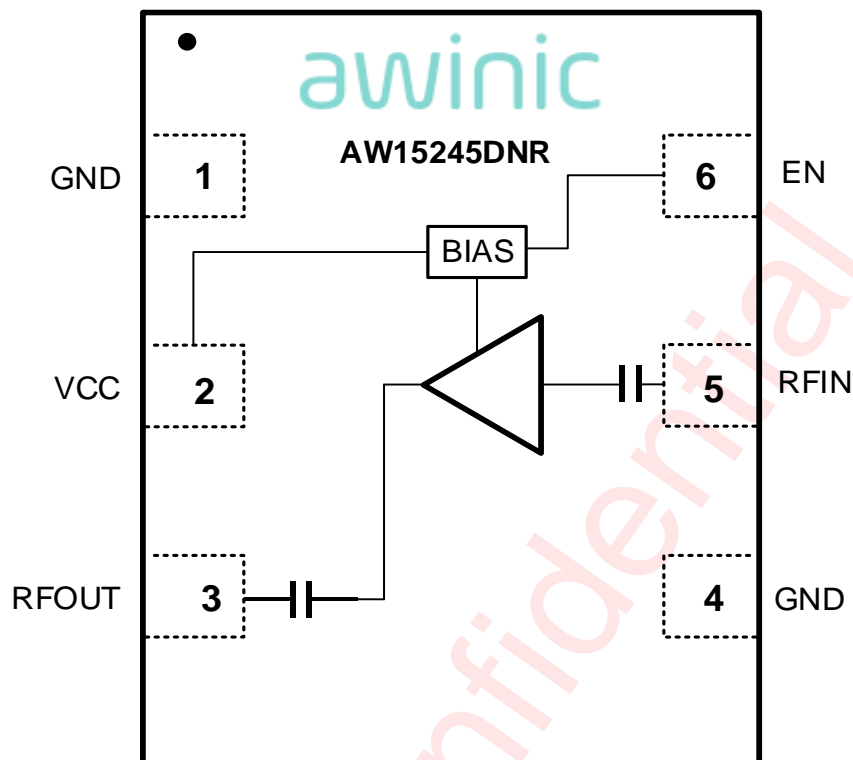


Figure 3 Functional Block Diagram

ORDERING INFORMATION

Part Number	Temperature	Package	Marking	Moisture Sensitivity Level	Environmental Information	Delivery Form
AW15245DNR	-40°C ~ 85°C	DFN 1.1mmx0.9mm-6L	L	MSL1	ROHS+HF	4500 units/ Tape and Reel

ABSOLUTE MAXIMUM RATINGS^[1]

PARAMETERS	SYMBOL	MIN	TYP	MAX	Unit
Supply Voltage at pin VCC	VCC	-0.3	-	3.6	V
Voltage at pin EN ^[2]	VEN	-0.3	-	3.6	V
RF input power ^[3]	PIN	-	-	10	dBm
Storage temperature range	T _{STG}	-65	-	150	°C
Ambient temperature range	T _{amb}	-40	-	85	°C
Solder temperature(10s)		-	260	-	°C
ESD RANGE					
HBM ^[4]			±3000		V
CDM ^[4]			±2000		V
LATCH-UP					
Test condition: JESD78E			+IT: +200 -IT: -200		mA mA

Note1: Stresses beyond those listed under “absolute maximum ratings” may cause permanent damage to the device. These are stress ratings only and functional operation of the device at these or any other conditions beyond those indicated under “recommended operating conditions” is not implied. Exposure to absolute maximum rated conditions for extended periods may affect device reliability.

Note2: Warning: due to internal ESD diode protection, the applied DC voltage should not exceed 3.6V in order to avoid excess current.

Note3: The RF input and RF output are AC coupled through internal DC blocking capacitor.

Note4: HBM standard: ESDA/JEDEC JS-001-2017. CDM standard: ESDA/JEDEC JS-002-2018.

ELECTRICAL CHARACTERISTICS

(AW15245DNR EVB^[1]; Typical values are at VCC=V_{EN}=2.8V and TA=+25°C, f=1575.42MHz, unless otherwise noted)

PARAMETER		TEST CONDITION	MIN	TYP	MAX	UNIT
DC ELECTRICAL CHARACTERISTICS						
V _{CC}	Supply Voltage		1.5	-	3.3	V
I _{SD}	Shut-Down Current	EN=Low			2	μA
I _{CC}	Supply Current	EN=High		7.8	12	mA
V _{EN}	Digital Input-Logic High		1.0		V _{CC}	V
V _{EN}	Digital Input-Logic Low				0.3	V
AC ELECTRICAL CHARACTERISTICS						
G _p	Power Gain		17.5	18.9	20.5	dB
RL _{in}	Input Return Loss		8	10		dB
RL _{out}	Output Return Loss		10	16		dB
ISL	Reverse Isolation		20	27		dB
NF	Noise Figure ^[2]	Z _s =50 ohm; No jammer		0.9	1.2	dB
K _f	Stability factor	f=20MHz...10GHz	1			
IP1dB	Inband input 1dB-compression point	f=1575.42MHz	-12	-10.5		dBm
IIP3 _{ib}	Inband input 3 rd -order intercept point	f1=1574.42MHz; f2=1575.42MHz; Pin=-25dBm;	-5	-2		dBm
IIP3 _{oob}	Out-of-band input 3 rd -order intercept point ^[3]	f1=1713MHz; f2=1851MHz; Pin_f1=-20dBm; Pin_f2=-65dBm;	-3	-1		dBm
H2-input referred	Out-of-band input 2 nd -ord intercept point	f=787.76MHz Pin=-25dBm		-63		dBm
t _{on}	turn-on time	time from V _{EN} ON to 90% of the final gain			2	μs
t _{off}	turn-off time	time from V _{EN} OFF to 10% of the gain			1	μs

Note1: input matched to 50 ohm using a high quality-factor 10nH inductor.

Note2: PCB losses are subtracted.

Note3: $IP3 = P1 + (P2 + Gain_{1575MHz} - IM3) / 2$

(AW15245DNR EVB^[1]; Typical values are at $V_{CC}=V_{EN}=1.8V$ and $T_A=+25^{\circ}C$, $f=1575.42MHz$, unless otherwise noted)

PARAMETER	TEST CONDITION	MIN	TYP	MAX	UNIT
DC ELECTRICAL CHARACTERISTICS					
V_{CC}	Supply Voltage	1.5	-	3.3	V
I_{SD}	Shut-Down Current	EN=Low		2	μA
I_{CC}	Supply Current	EN=High	6.7	10	mA
V_{EN}	Digital Input-Logic High	1.0		V_{CC}	V
V_{EN}	Digital Input-Logic Low			0.3	V
AC ELECTRICAL CHARACTERISTICS					
G_p	Power Gain	17	18.4	20	dB
RL_{in}	Input Return Loss	8	9.5		dB
RL_{out}	Output Return Loss	10	16		dB
ISL	Reverse Isolation	20	27		dB
NF	Noise Figure ^[2]	Zs=50 ohm; No jammer	0.9	1.2	dB
Kf	Stability factor	f=20MHz...10GHz	1		
IP1dB	Inband input 1dB-compression point	f=1575.42MHz	-14	-12.5	dBm
IIP3 _{ib}	Inband input 3 rd -order intercept point	f1=1574.42MHz; f2=1575.42MHz; Pin=-25dBm;	-5.5	-3.5	dBm
IIP3 _{oob}	Out-of-band input 3 rd -order intercept point ^[3]	f1=1713MHz; f2=1851MHz; Pin_f1=-20dBm; Pin_f2=-65dBm;	-5	-3	dBm
H2-input referred	Out-of-band input 2 nd -ord intercept point	f=787.76MHz Pin=-25dBm		-63	dBm
t _{on}	turn-on time	time from V_{EN} ON to 90% of the final gain		2	μs
t _{off}	turn-off time	time from V_{EN} OFF to 10% of the gain		1	μs

Note1: input matched to 50 ohm using a high quality-factor 10nH inductor.

Note2: PCB losses are subtracted.

Note3: $IP3=P1+(P2+Gain_{1575MHz}-IM3)/2$.

(AW15245DNR EVB^[1]); Typical values are at $V_{CC}=V_{EN}=2.8V$ and $T_A=+25^{\circ}C$, $f=1176.45MHz$, unless otherwise noted)

PARAMETER	TEST CONDITION	MIN	TYP	MAX	UNIT
DC ELECTRICAL CHARACTERISTICS					
V_{CC}	Supply Voltage	1.5	-	3.3	V
I_{SD}	Shut-Down Current	EN=Low		2	μA
I_{CC}	Supply Current	EN=High	7.8	12	mA
V_{EN}	Digital Input-Logic High	1.0		V_{CC}	V
V_{EN}	Digital Input-Logic Low			0.3	V
AC ELECTRICAL CHARACTERISTICS					
G_p	Power Gain	17.5	18.5	20	dB
RL_{in}	Input Return Loss	7	9		dB
RL_{out}	Output Return Loss	10	18		dB
ISL	Reverse Isolation	20	29.5		dB
NF	Noise Figure ^[2]	Zs=50 ohm; No jammer	0.9	1.2	dB
Kf	Stability factor	f=20MHz...10GHz	1		
IP1dB	Inband input 1dB-compression point	f=1176.45MHz	-15	-13.1	dBm
IIP3 _{ib}	Inband input 3 rd -order intercept point	f1=1176.45MHz; f2=1177.45MHz; Pin=-30dBm;	-5.6	-3.6	dBm
IIP3 _{oob}	Out-of-band input 3 rd -order intercept point	f1=1800MHz; f2=2400MHz; Pin_f1=-30dBm;	-9	-7.3	dBm
ton	turn-on time	time from VEN ON to 90% of the final gain		2	μs
toff	turn-off time	time from VEN OFF to 10% of the gain		1	μs

Note1: input matched to 50 ohm using a high quality-factor 18nH inductor. Output matching using 9.1nH inductor and 1.5pF capacitor.

Note2: PCB losses are subtracted.

(AW15245DNR EVB^[1]; Typical values are at $V_{CC}=V_{EN}=1.8V$ and $T_A=+25^{\circ}C$, $f=1176.45MHz$, unless otherwise noted)

PARAMETER	TEST CONDITION	MIN	TYP	MAX	UNIT
DC ELECTRICAL CHARACTERISTICS					
V_{CC}	Supply Voltage	1.5	-	3.3	V
I_{SD}	Shut-Down Current	EN=Low		2	μA
I_{CC}	Supply Current	EN=High	6.7	10	mA
V_{EN}	Digital Input-Logic High	1.0		V_{CC}	V
V_{EN}	Digital Input-Logic Low			0.3	V
AC ELECTRICAL CHARACTERISTICS					
G_p	Power Gain	17	17.7	20	dB
RL_{in}	Input Return Loss	6.5	8.5		dB
RL_{out}	Output Return Loss	10	18		dB
ISL	Reverse Isolation	20	29		dB
NF	Noise Figure ^[2]	Zs=50 ohm; No jammer	0.9	1.2	dB
Kf	Stability factor	f=20MHz...10GHz	1		
IP1dB	Inband input 1dB-compression point	f=1176.45MHz	-16	-14.3	dBm
IIP3 _{ib}	Inband input 3 rd -order intercept point	f1=1176.45MHz; f2=1177.45MHz; Pin=-30dBm;	-7.2	-5.2	dBm
IIP3 _{oob}	Out-of-band input 3 rd -order intercept point	f1=1800MHz; f2=2400MHz; Pin_f1=-30dBm;	-11	-9	dBm
ton	turn-on time	time from VEN ON to 90% of the final gain		2	μs
toff	turn-off time	time from VEN OFF to 10% of the gain		1	μs

Note1: input matched to 50 ohm using a high quality-factor 18nH inductor. Output matching using 9.1nH inductor and 1.5pF capacitor.

Note2: PCB losses are subtracted.

TEST CIRCUITS

DC Characteristics

The following is the test bench for power supply, pin voltage, supply current, standby current

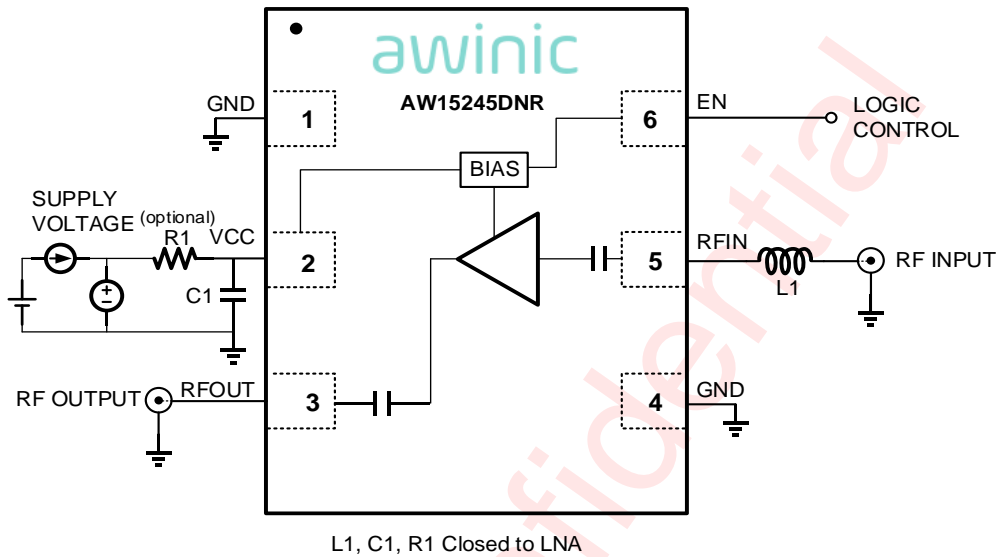


Figure 4 Test Circuits

S Parameter

The following is the test bench for input return loss, output return loss, reverse isolation, forward gain, and 1dB gain compression.

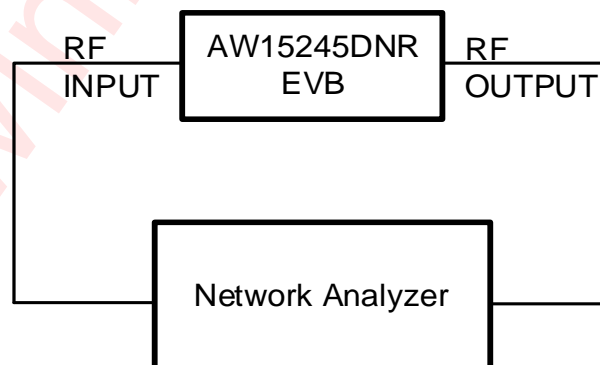


Figure 5 S Parameter Test Bench

Noise Figure

The following is the test bench for noise figure, power gain.

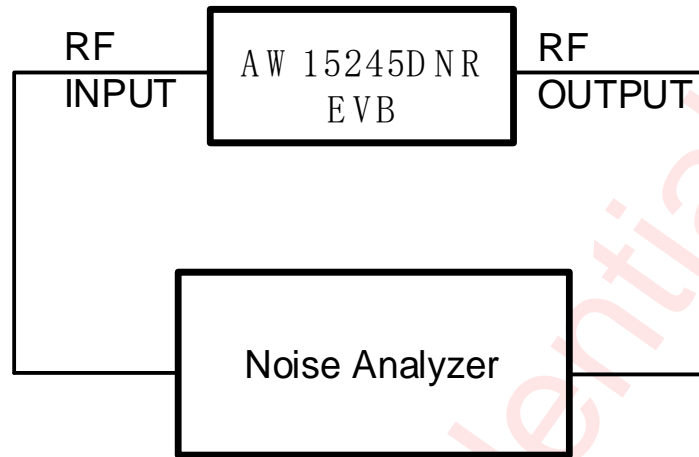


Figure 6 Noise Figure Test Bench

Intermodulation distortion

The following is the test bench for third-order intercept point and second-order intercept point.

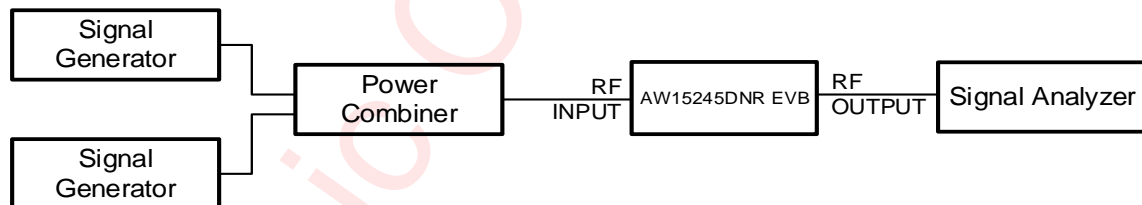


Figure 7 IIP3 Test Bench

TAPE & REEL DESCRIPTION

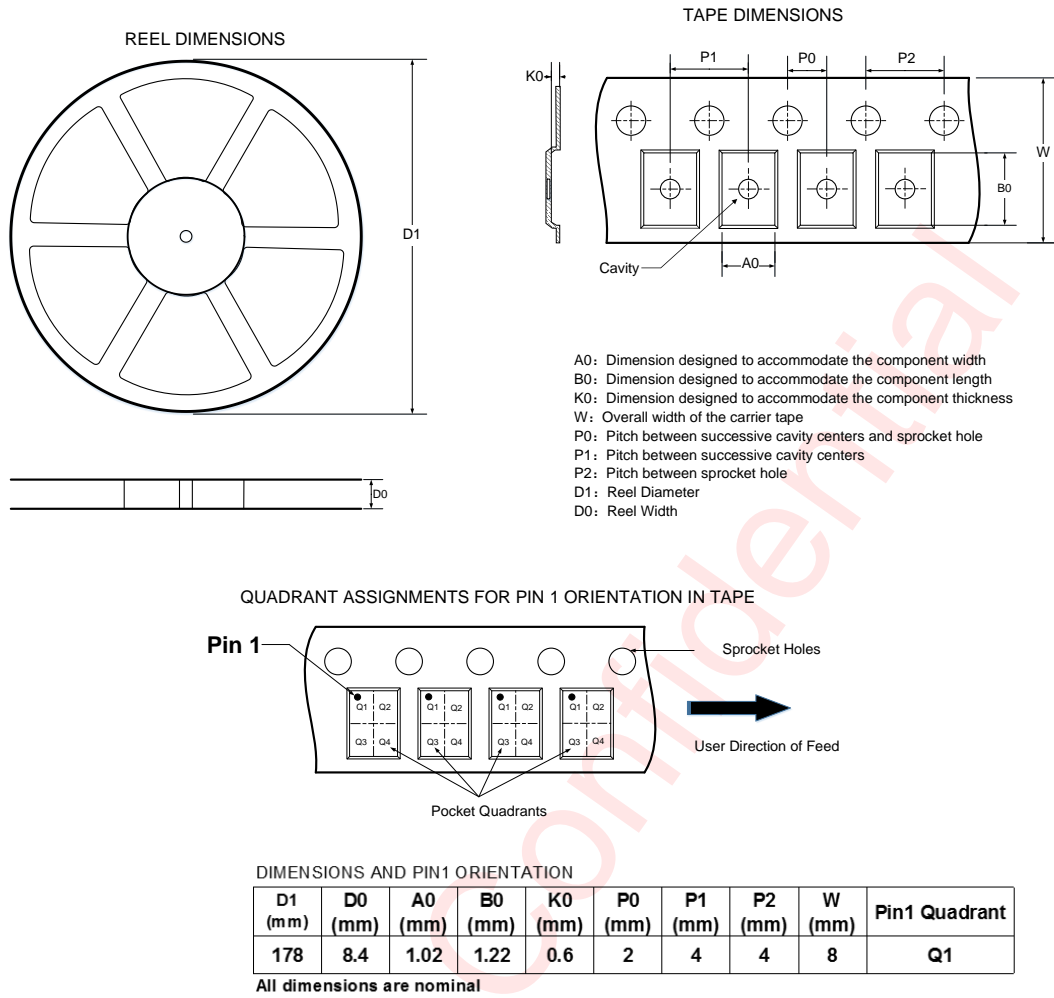
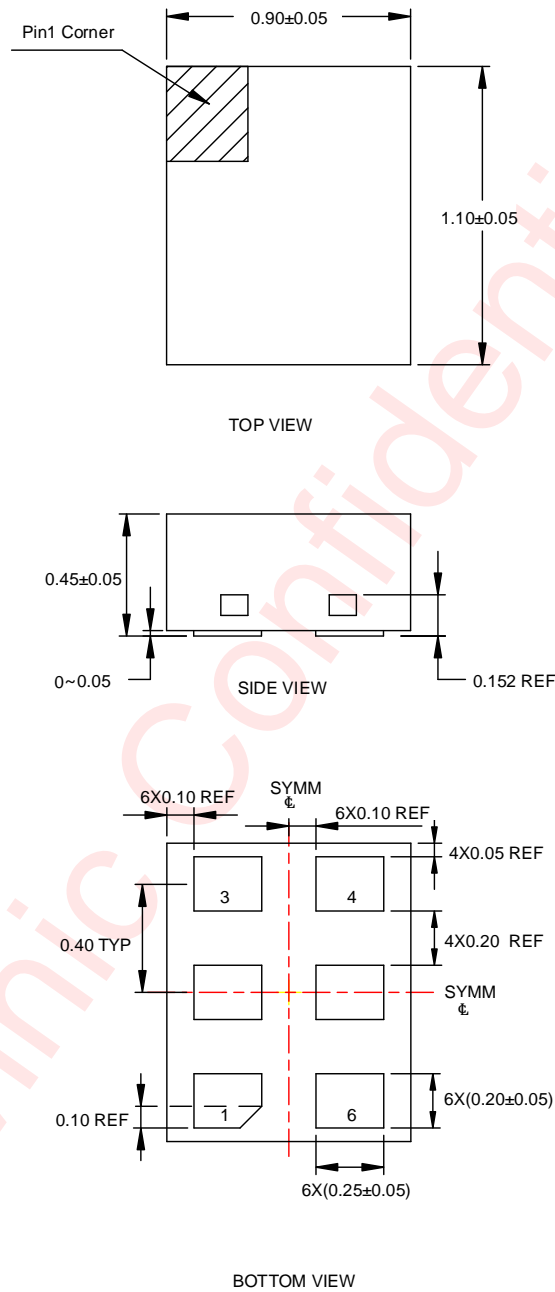


Figure 8 Tape & Reel Description

Package Description



Unit:mm

Figure 9 Package Outline

REVISION HISTORY

Version	Date	Change Record
V1.0	Nov. 2020	Officially Released
V1.1	Nov. 2020	Added P1dB/ IIP3 _{ib} / IIP3 _{oob} OF L5 BAND
V1.2	Mar. 2021	Added H2-input referred
V1.3	Feb. 2022	1. The input and output matching inductance of L5 is modified 2. The typical value of NF is modified 3. Some formats have been modified
V1.4	May. 2023	Delete the IMD3 in the EC table

DISCLAIMER

Information in this document is believed to be accurate and reliable. However, Shanghai AWINIC Technology Co., Ltd (AWINIC Technology) does not give any representations or warranties, expressed or implied, as to the accuracy or completeness of such information and shall have no liability for the consequences of use of such information.

AWINIC Technology reserves the right to make changes to information published in this document, including without limitation specifications and product descriptions, at any time and without notice. Customers shall obtain the latest relevant information before placing orders and shall verify that such information is current and complete. This document supersedes and replaces all information supplied prior to the publication hereof.

AWINIC Technology products are not designed, authorized or warranted to be suitable for use in medical, military, aircraft, space or life support equipment, nor in applications where failure or malfunction of an AWINIC Technology product can reasonably be expected to result in personal injury, death or severe property or environmental damage. AWINIC Technology accepts no liability for inclusion and/or use of AWINIC Technology products in such equipment or applications and therefore such inclusion and/or use is at the customer's own risk.

Applications that are described herein for any of these products are for illustrative purposes only. AWINIC Technology makes no representation or warranty that such applications will be suitable for the specified use without further testing or modification.

All products are sold subject to the general terms and conditions of commercial sale supplied at the time of order acknowledgement.

Nothing in this document may be interpreted or construed as an offer to sell products that is open for acceptance or the grant, conveyance or implication of any license under any copyrights, patents or other industrial or intellectual property rights.

Reproduction of AWINIC information in AWINIC data books or data sheets is permissible only if reproduction is without alteration and is accompanied by all associated warranties, conditions, limitations, and notices. AWINIC is not responsible or liable for such altered documentation. Information of third parties may be subject to additional restrictions.

Resale of AWINIC components or services with statements different from or beyond the parameters stated by AWINIC for that component or service voids all express and any implied warranties for the associated AWINIC component or service and is an unfair and deceptive business practice. AWINIC is not responsible or liable for any such statements.