

1

2

3

4

5

6

7

A

B

C

D

E

F

A

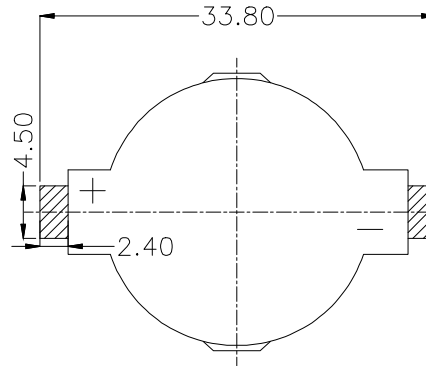
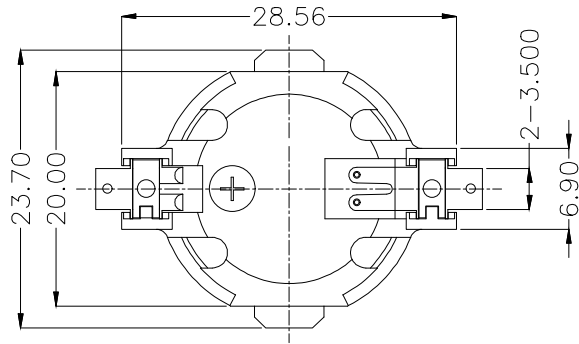
B

C

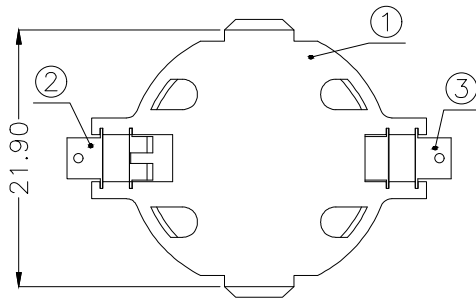
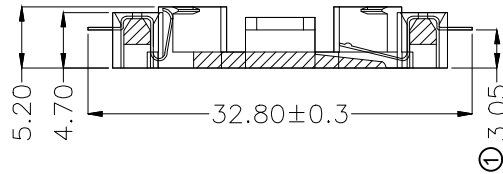
D

E

F



PCB Layout Diagram
Top View



NOTE:

- 1.MATERIAL
 - ① 1.1 Housing:LCP,UL94V-0 ,Beige
 - 1.2 Contact:Phosphor Bronze,Au or Tin over Nickel
- 2.ELECTRIC
 - 2.1 Contact Resistance:30 Milliohms Max.
 - 2.2 Insulation Resistance:1000 Mega Ohms Min.
 - 2.3 Dielectric Voltage:500V AC one Sec Level.
- 3.Operating Temperature:-55°C To +105°C
- 4.Packing:Tape & Reel
- Order Code:A-BAT-CH-C8-EA-xSR2

G:Gold Flash
Z:Tin

RoHS compliant
unit:mm

Scale	Free
TOLERANCE	
.X	±0.35
.X	±0.25
.XX	±0.20
.XXX	±0.15
DIM	TOL
Angle	TOL

				Date	Name	Description: Coin Cell Holders CR2032 Type	
				Drawn	12.20.2021		Peter
				Approved	10.17.2022	Winnie	ASSMANN WSW-NO.
							A-BAT-CH-C8-EA-xSR2
		①	Add the insulator color & update dimension	10.17.2022	Winnie	Drawing-No.	ASS 9157 CO
		②	Drawn	12.20.2021	Peter	rev01	
		Id.	modification	Date	Name	Customer-No.	SHEET 1 / 1



1

2

3

4

5

6

7

H