



GENERAL SPECIFICATIONS (电气特性)

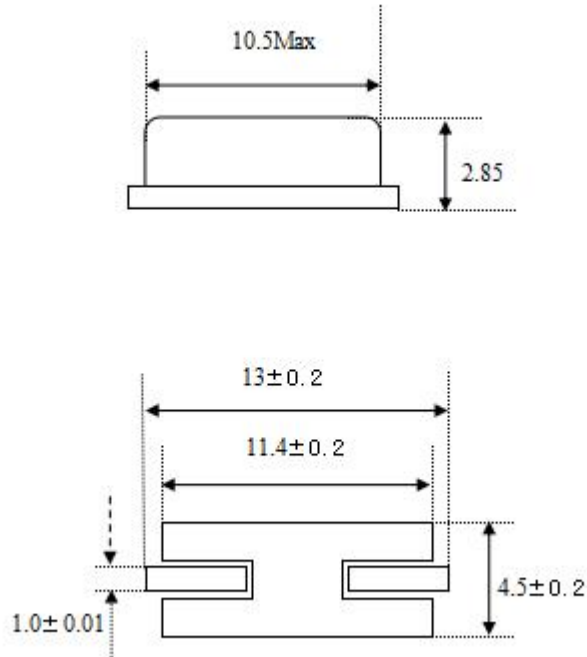
1. Series model: (系列号)	49SS-SMD
2. Normal Frequency: (标称频率)	3.579545~27MHz
3. Oscillation Mode: (振动模式)	<input checked="" type="checkbox"/> Fundamental <input type="checkbox"/> 3rd
4. Load Capacitance(CL): (负载电容)	9PF, 10PF, 16PF, 20PF, 22PF
5. Frequency Tolerance 25 ± 3°C: (频率偏差 25 ± 3°C)	± 20 PPM
6. Stability Over Temperature Range: (工作温度频率偏差)	± 20 PPM at -20°C to +70°C
7. Effective Series Resistance: (等效电阻)	3.579545~4MHZ ≤ 120 Ω 6~6.7458MHZ ≤ 80 Ω 8MHZ ≤ 60 Ω 9.216~10MHZ ≤ 40 Ω 12~27MHZ ≤ 30 Ω
8. Shunt Capacitance(C0): (静态电容)	≤ 5 PF
9. Typical drive level: (激励功率)	10 uW TYP.
10. Operation Temperature Range: (工作温度范围)	-40°C to +85°C
11. Storage Temperature: (存储温度)	-40°C to +85°C
12. Insulation Resistance: (绝缘阻抗)	≥ 500 MΩ at DC 100V
13. Aging: (老化率)	± 3 PPM/Year
14. Leak (检漏)	1 × 10 ⁻⁷ Torr. 1/sec Max
15. Test circuit (测试仪器)	S&A 250B Pi-Network Crystal Measurement System

Remark (备注):

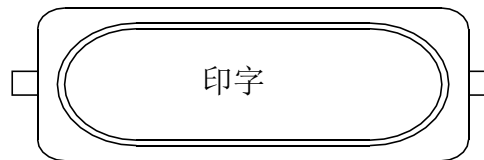
晶振最佳储存条件: 温度: 25 ± 5°C, 湿度: < 70%。

密封包装, 切勿挤压, 切勿在 30cm 以上的高度滑落跌落。

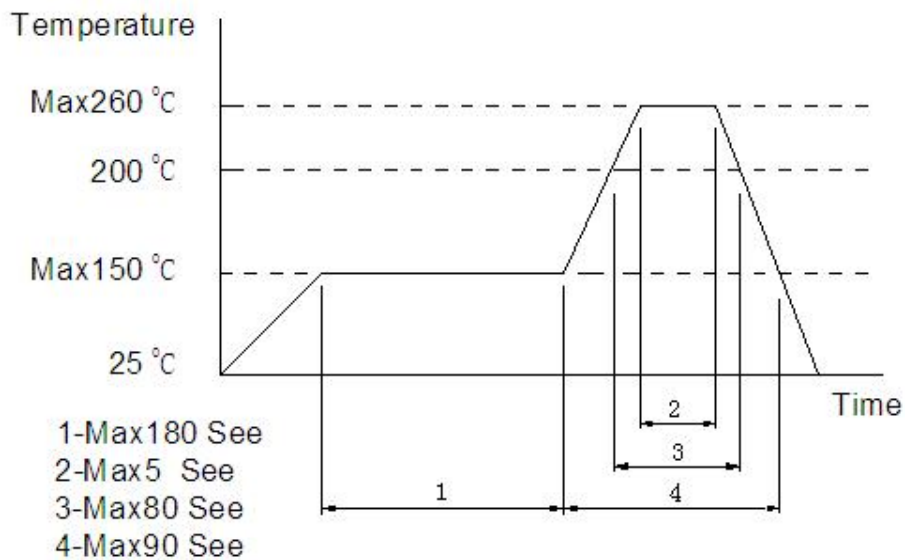
DIMENSIONS SPECIFICATIONS (外形尺寸)



MARK (印字)



SODLE REFLOW PROFILE (回流焊曲线)

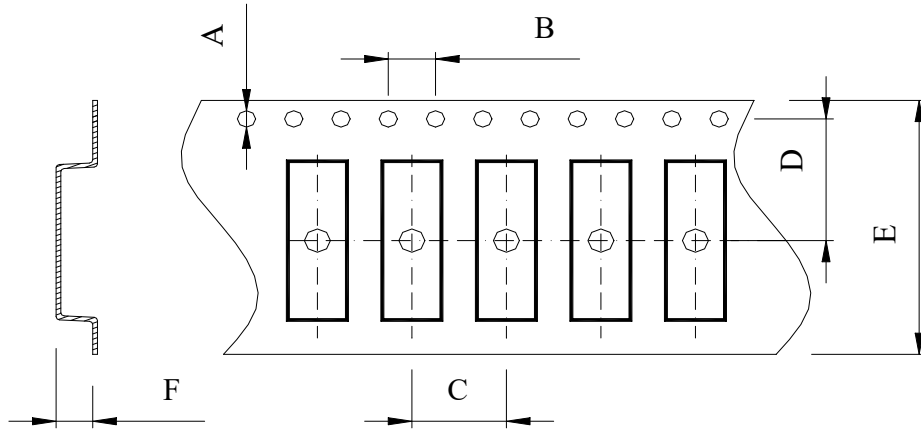


PACKING (包装)

Shear strength between cover and carrier tape should be 30-100g.

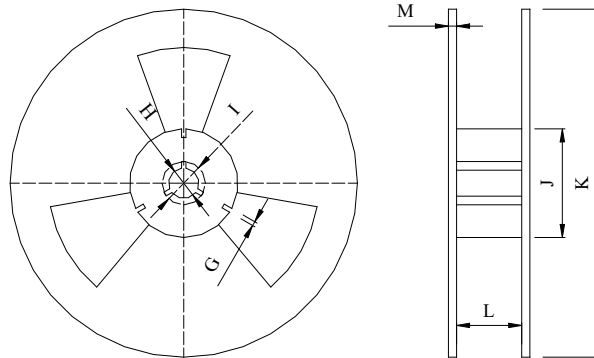
Carrier tape should be folded over three times with no break at all.

Tape Dimensions(unit: mm)



A	B	C	D	E	F
1.55 ± 0.05	4.0 ± 0.1	8.0 ± 0.1	11.5 ± 0.1	24.0 ± 0.3	4.5 ± 0.1

Reel Dimensions(unit: mm)



G	H	I	J	K	L	M
2.2 ± 0.5	13.0 ± 0.2	20.2 ± 1.0	100.0 ± 1.0	330 ± 2.0	24.5 ± 0.3	2.3 ± 0.5

Standard Reel Quantity is **2000 pcs** per reel.