



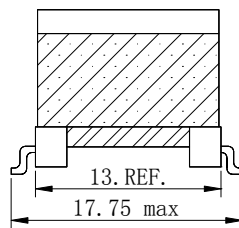
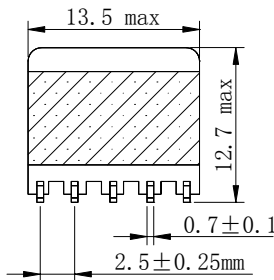
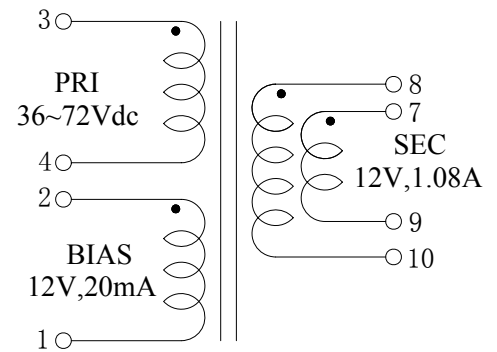
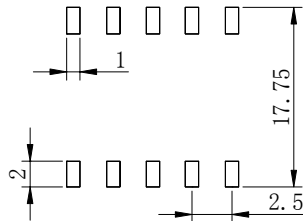
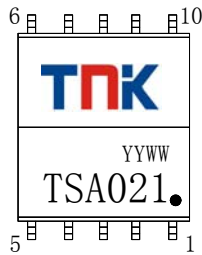
- Flyback Transformer**
- RoHS Compliance Product**
- Surface Mount Device Providing Compact Footprint**
- Operating temperature range:-40⁰C to +125⁰C**

Electrical Specifications @ 25°C

Part Number	Turns Ratio			OCL @250KHz 100mV	LL @250KHz 100mV	DCR			Hi-Pot (Vrms 1mA 1Sec)
	3-4:7-9	3-4:8-10	3-4:2-1	3-4	3-4 (2-1-7-8-9-10short)	3-4	2-1	7-9=8-10	
TSA021	1:0.5±2%	1:0.5±2%	1:0.5±2%	127uH ±10%	0.65uH max	0.199ΩMax	0.308ΩMax	0.13ΩMax	1875

Mechanical

Schematic



NOTE:

- 1、Dimensions:mm;
- 2、 Unless otherwise specified,tolerances:±0.25(mm);