

# 規格承認書

PECIFICATION FOR APPROVAL

客戶

CUSTOMER : 立創

項目

ITEM : 超声波传感器

型號

TYPE : GU1008C-40T/R

描述

DESCRIPTION :  $\phi 10 \times H7 \text{mm}$  40KHz 开放式 收发分体

客戶料號

CUSTOMER NO. :

規格書號

SPECIFICATION NO.:

版本

EDITION NO. : V1.1

日期

DATE :

## 客戶承認

### CUSTOMER CONFIRM AND SIGN

| 檢查<br>TESTED BY | 審核<br>CHECKED BY | 承認<br>APPROVED BY |
|-----------------|------------------|-------------------|
|                 |                  |                   |

## 東莞市贏海電子有限公司

### DONGUAN INGHAI ELECTRONICS CO.,LTD

| 製作<br>ISSUED BY | 審查<br>CHECKED BY | 確認<br>APPROVED BY |
|-----------------|------------------|-------------------|
| 周明              | 李林               |                   |

地址：廣東省東莞市長安鎮上沙管理區新春工業園新春路1號

電話 / TEL : 0769-83060958 傳真 / FAX : 0769-81608993

網址：[HTTP://WWW.INGHAI.COM](http://www.inghai.com)

## A. Scope

This specification applies Ultrasonic sensor GU1008C-40T/R

## B. Characteristics

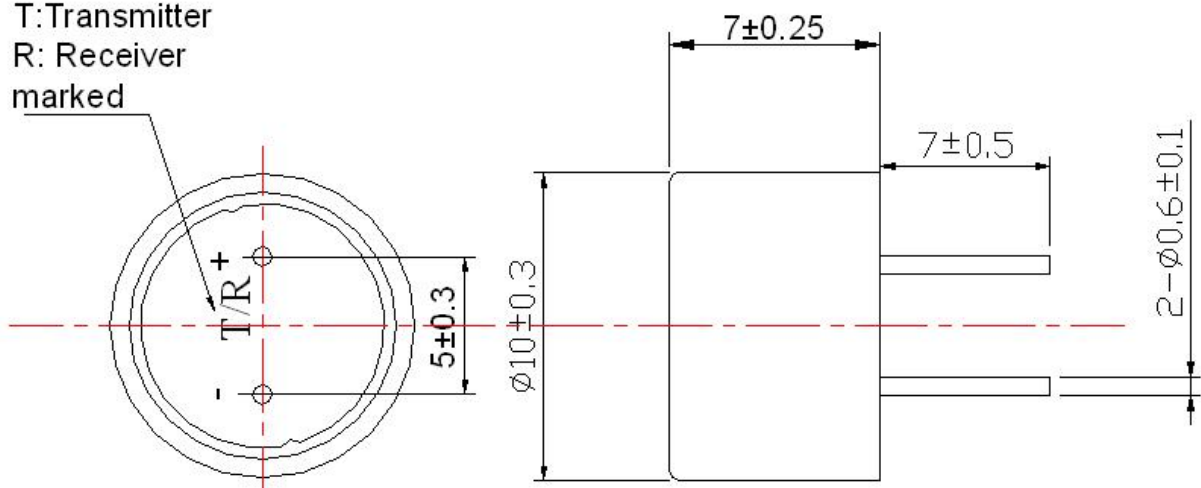
- 1.1) Open structure and separate use
- 1.2) Compact and light weight
- 1.3) High sensitivity and sound pressure
- 1.4) Less power consumption
- 1.5) High reliability

## C. Technical terms

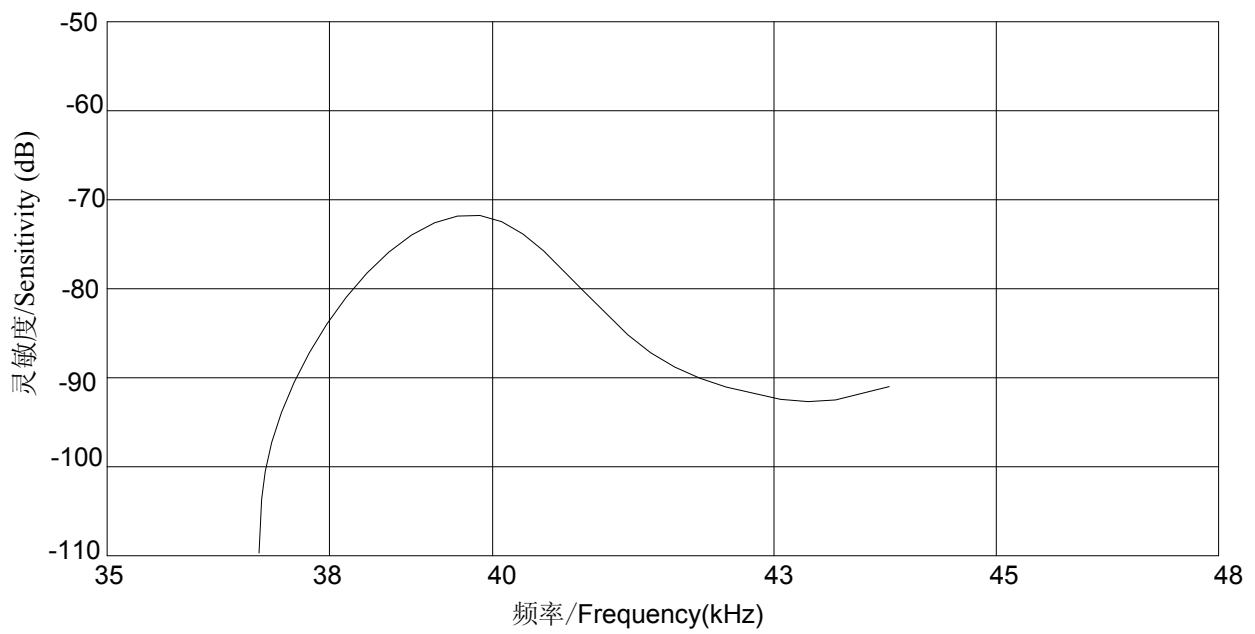
| No. | Item                  | Unit | Specification                       |
|-----|-----------------------|------|-------------------------------------|
| 1   | Construction          |      | Open                                |
| 2   | Using method          |      | Transmitter/Receiver                |
| 3   | Nominal Frequency     | Hz   | 40K                                 |
| 4   | Sensitivity           |      | $\geq -75\text{dBV}/\mu\text{Mbar}$ |
| 5   | SPL                   | dB   | $\geq 108$ (10V/30cm/sine wave)     |
| 6   | Directivity           |      | 80deg                               |
| 7   | Capacitance           | pF   | $2100 \pm 25\% @ 1\text{KHz}$       |
| 8   | Detectable range      | m    | 0.2...12                            |
| 9   | Operating Temperature | °C   | -20...+80                           |
| 10  | Housing material      |      | Al                                  |

## D. Drawing

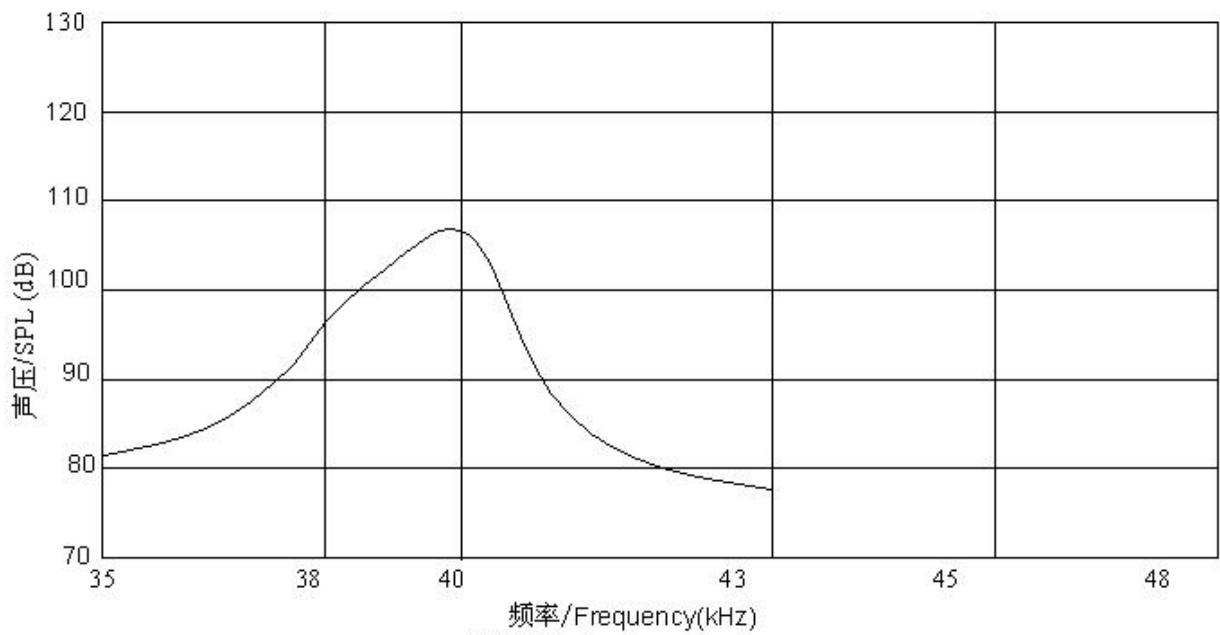
T: Transmitter  
R: Receiver  
marked



## E. Beam Pattern



灵敏度-频率特性图/Sensitivity-Freq.Characteristics



声压-频率特性图/SPL-Freq.Characteristics



指向性/Directivity in Sensitivity

## F. Test Circuit

### Receiver



RL:  $3.9K\Omega$

U.S. :Ultrasonic Sensor

S.C.M:Standard Cappacitor Microphone

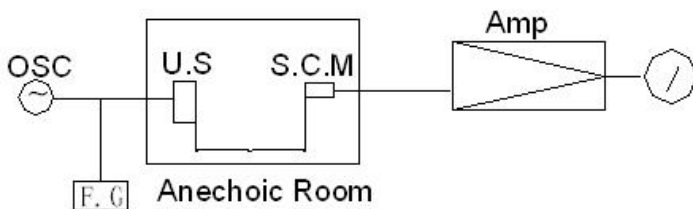
Amp. :Amplifier

OSC. :Oscillator

Sp :Tweeter

F.C. :Frequency Counter

### Transmitter



U.S. :Ultrasonic Sensor

S.C.M:Standard Cappacitor Microphone

Amp. :Amplifier

Input voltage:10Vrms

F.C. :Frequency Counter